

# 2.5" Hard Drive Carrier Kit Installation Guide for Intel® Server Chassis/System

---

Order Number: E78220-002

This document provides instructions for installing the following accessory kits:

AXX25DRVADPTR

Information in this document is provided in connection with Intel® products. No license, express or implied, by estoppel or otherwise, to any intellectual property rights is granted by this document. Except as provided in Intel's Terms and Conditions of Sale for such products, Intel assumes no liability whatsoever, and Intel disclaims any express or implied warranty, relating to sale and/or use of Intel® products including liability or warranties relating to fitness for a particular purpose, merchantability, or infringement of any patent, copyright or other intellectual property right. Intel products are not designed, intended or authorized for use in any medical, life saving, or life sustaining applications or for any other application in which the failure of the Intel product could create a situation where personal injury or death may occur. Intel may make changes to specifications and product descriptions at any time, without notice.

Intel® server boards contain a number of high-density VLSI and power delivery components that need adequate airflow for cooling. Intel's own chassis are designed and tested to meet the intended thermal requirements of these components when the fully integrated system is used together. It is the responsibility of the system integrator that chooses not to use Intel developed server building blocks to consult vendor datasheets and operating parameters to determine the amount of airflow required for their specific application and environmental conditions. Intel Corporation can not be held responsible if components fail or the server board does not operate correctly when used outside any of their published operating or non-operating limits.

Intel, Intel Pentium, and Intel Xeon are trademarks or registered trademarks of Intel Corporation or its subsidiaries in the United States and other countries.

\* Other names and brands may be claimed as the property of others.

**Copyright © 2009, Intel Corporation. All Rights Reserved**

E78220-002



# Safety Information

---

## Important Safety Instructions

Read all caution and safety statements in this document before performing any of the instructions. See also Intel Server Boards and Server Chassis Safety Information on the *Intel® Server Deployment Toolkit CD* and/or at <http://support.intel.com/support/motherboards/server/sb/cs-010770.htm>.

## Wichtige Sicherheitshinweise

Lesen Sie zunächst sämtliche Warn- und Sicherheitshinweise in diesem Dokument, bevor Sie eine der Anweisungen ausführen. Beachten Sie hierzu auch die Sicherheitshinweise zu Intel-Serverplatinen und Servergehäusen auf der *Intel® Server Deployment Toolkit CD* oder unter <http://support.intel.com/support/motherboards/server/sb/cs-010770.htm>.

## Consignes de sécurité

Lisez attention toutes les consignes de sécurité et les mises en garde indiquées dans ce document avant de suivre toute instruction. Consultez Intel Server Boards and Server Chassis Safety Information sur le *Intel® Server Deployment Toolkit CD* ou bien rendez-vous sur le site <http://support.intel.com/support/motherboards/server/sb/cs-010770.htm>.

## Instrucciones de seguridad importantes

Lea todas las declaraciones de seguridad y precaución de este documento antes de realizar cualquiera de las instrucciones. Vea Intel Server Boards and Server Chassis Safety Information en el *Intel® Server Deployment Toolkit CD* y/o en <http://support.intel.com/support/motherboards/server/sb/cs-010770.htm>.

## 重要安全指导

在执行任何指令之前，请阅读本文件中的所有注意事项及安全声明。并参阅 <http://support.intel.com/support/motherboards/server/sb/CS-010770.htm> 上的 *Intel Server Boards and Server Chassis Safety Information*（《Intel 服务器主板与服务器机箱安全信息》）。

# Warnings

---

**Heed safety instructions:** Before working with your server product, whether you are using this guide or any other resource as a reference, pay close attention to the safety instructions. You must adhere to the assembly instructions in this guide to ensure and maintain compliance with existing product certifications and approvals. Use only the described, regulated components specified in this guide. Use of other products / components will void the UL listing and other regulatory approvals of the product and will most likely result in noncompliance with product regulations in the region(s) in which the product is sold.

**System power on/off:** The power button DOES NOT turn off the system AC power. To remove power from system, you must unplug the AC power cord from the wall outlet. Make sure the AC power cord is unplugged before you open the chassis, add, or remove any components.

**Hazardous conditions, devices and cables:** Hazardous electrical conditions may be present on power, telephone, and communication cables. Turn off the server and disconnect the power cord, telecommunications systems, networks, and modems attached to the server before opening it. Otherwise, personal injury or equipment damage can result.

**Electrostatic discharge (ESD) and ESD protection:** ESD can damage disk drives, boards, and other parts. We recommend that you perform all procedures in this chapter only at an ESD workstation. If one is not available, provide some ESD protection by wearing an antistatic wrist strap attached to chassis ground any unpainted metal surface on your server when handling parts.

**ESD and handling boards:** Always handle boards carefully. They can be extremely sensitive to ESD. Hold boards only by their edges. After removing a board from its protective wrapper or from the server, place the board component side up on a grounded, static free surface. Use a conductive foam pad if available but not the board wrapper. Do not slide board over any surface.

**Installing or removing jumpers:** A jumper is a small plastic encased conductor that slips over two jumper pins. Some jumpers have a small tab on top that you can grip with your fingertips or with a pair of fine needle nosed pliers. If your jumpers do not have such a tab, take care when using needle nosed pliers to remove or install a jumper; grip the narrow sides of the jumper with the pliers, never the wide sides. Gripping the wide sides can damage the contacts inside the jumper, causing intermittent problems with the function controlled by that jumper. Take care to grip with, but not squeeze, the pliers or other tool you use to remove a jumper, or you may bend or break the pins on the board.

# Table of Contents

---

<b>2.5" Hard Drive Carrier Kit Installation Guide .....</b>	<b>1</b>
About the 2.5" Hard Drive Carrier Kit .....	1
Before You Begin .....	1
Kit Contents Lists .....	1
Tools and Supplies Needed .....	2
2.5" Hard Drive Carrier Installation Instruction .....	2
Remove the Hard Drive Bracket .....	2
Install 2.5" Hard Drive into the Bracket .....	3
Install Hard Drive Bracket into Carrier .....	4

# List of Figures

---

- Figure 1. Removing Screws from Rail and Adaptor Plate..... 2
- Figure 2. Removing the Bracket from Carrier ..... 2
- Figure 3. Installing 2.5” HDD into the bracket ..... 3
- Figure 4. Securing screws on the bracket..... 3
- Figure 5. Installing the bracket into the rail ..... 4
- Figure 6. Securing Screws on the Rails ..... 4
- Figure 7. Left view after Installation ..... 4



# 2.5” Hard Drive Carrier Kit Installation Guide

---

## About the 2.5” Hard Drive Carrier Kit

Use the instructions in this 2.5” Hard Drive Carrier Kit Installation Guide to assemble a 2.5” hard drive into the carrier kit and then install into a 3.5” hard drive hot swap bay in the Intel® chassis and server system. Refer to your server system user guide or service guide for how to install a hot swap hard drive carrier into the system. Refer to web link below for compatible Intel® chassis and system list.

<http://www.intel.com/support/motherboards/server/sb/CS-030726.htm>.

### NOTE

Refer to your server board documentation to determine SSD/SAS/SATA support for your server system.

If you want to use your SSD/SAS/SATA drives for a RAID configuration, you may need to install a RAID add-in card. Refer to your server board documentation and/or your RAID card documentation for additional installation instructions and requirements.

## Before You Begin

Before removing the access cover for any reason, observe these safety guidelines.

1. Turn off any peripheral devices connected to the server.
2. Turn off the server by pressing the power button on the front of the chassis.
3. Unplug the AC power cord from the chassis or wall outlet.
4. Label and disconnect all peripheral cables connected to I/O connectors or ports on the back of the chassis.
5. Label and disconnect all telecommunication lines connected to I/O connectors or ports on the back of the chassis.
6. Provide electrostatic discharge (ESD) protection by wearing an anti-static wrist strap attached to a chassis ground—any unpainted metal surface—when handling components.

## Kit Contents Lists

Each 2.5” Hard Drive Carrier Kit (AXX25DRVADPTR) contains the following items:

Item	Quantity
2.5” Hard Drive Carrier	1
M3 Screws	6
This manual	1

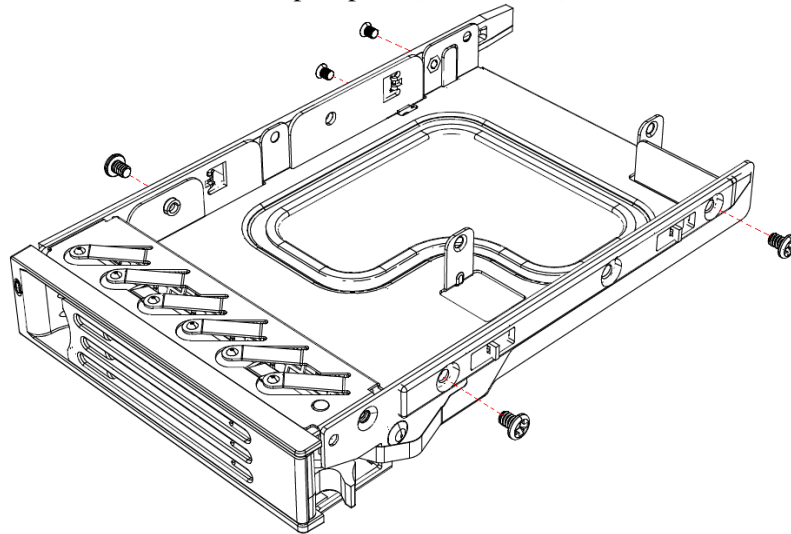
## Tools and Supplies Needed

- Phillips\* (cross head) screwdriver
- Anti-static wrist strap (recommended)

## 2.5" Hard Drive Carrier Installation Instruction

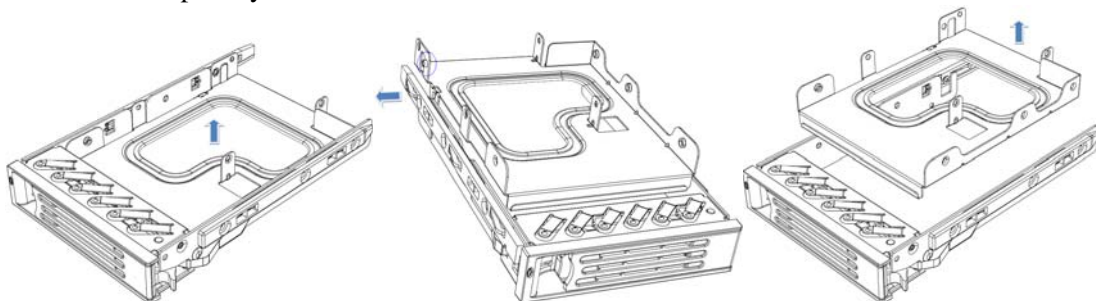
### Remove the Hard Drive Bracket

1. Remove the screws from the rail of the hard drive carrier (3 #6-32 screws and 1 M3 screw)
2. Remove the screw from hard drive adaptor plate (1 M3 screw).



**Figure 1. Removing Screws from Rail and Adaptor Plate**

3. Pay attention to the standoff on left back of the bracket. Push left rail outward and get the hard drive bracket up away from carrier.



**Figure 2. Removing the Bracket from Carrier**

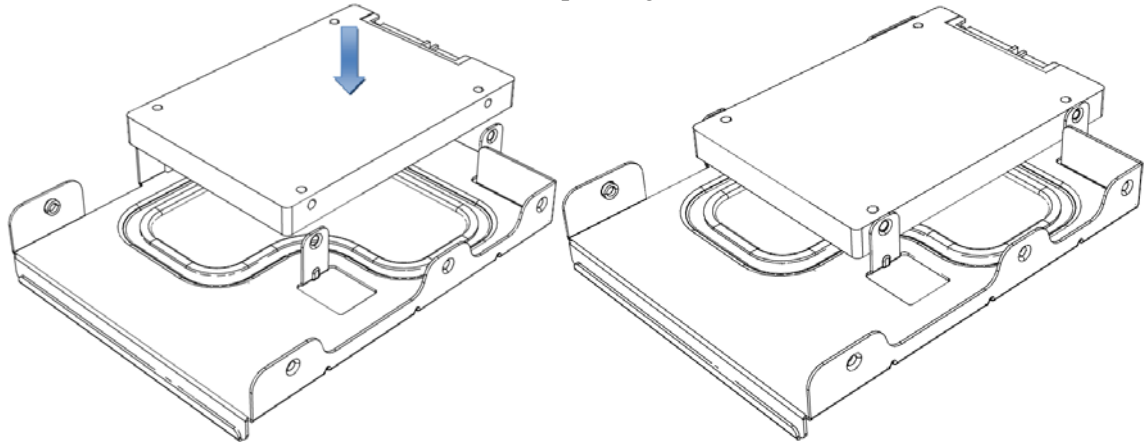


# Install 2.5” Hard Drive into the Bracket

## NOTE

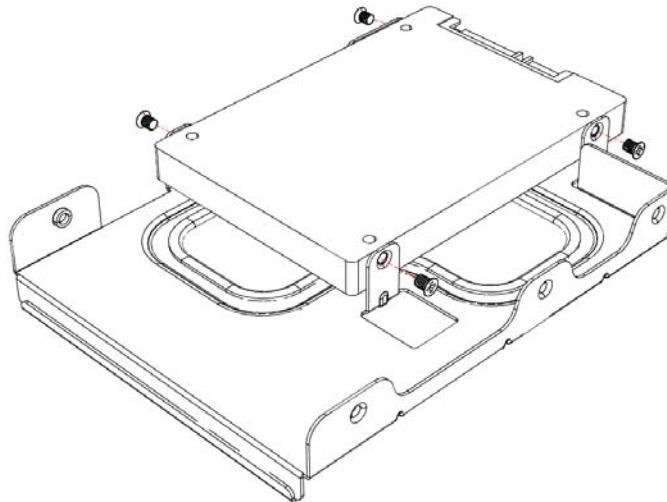
The 2.5” hard drive can be a SSD or SAS and SATA. Refer to your server board or system documentation to determine SSD/SAS/SATA support for your server system.

1. Install the 2.5” Hard Drive into bracket from top to align with the 4 screw holes on bracket



**Figure 3. Installing 2.5” HDD into the bracket**

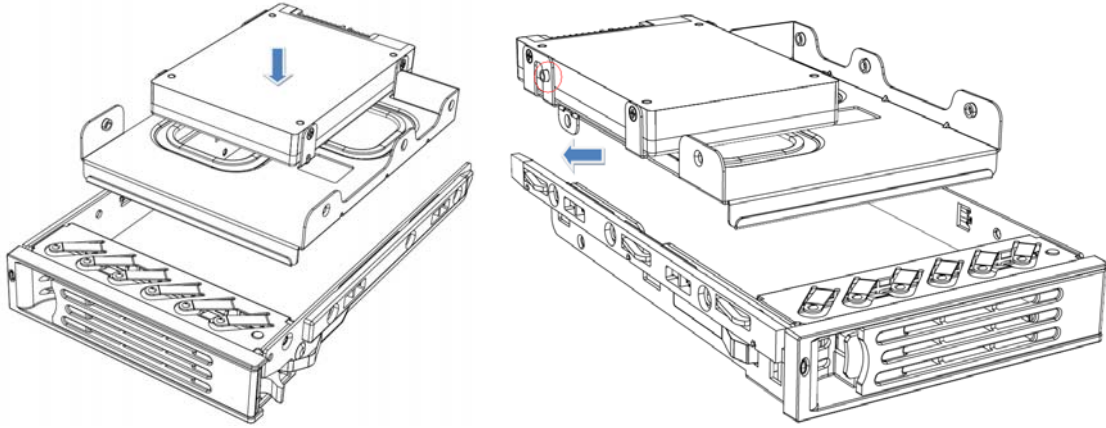
2. Secure the screws on the right and left side of the bracket(4 M3 screws)



**Figure 4. Securing screws on the bracket**

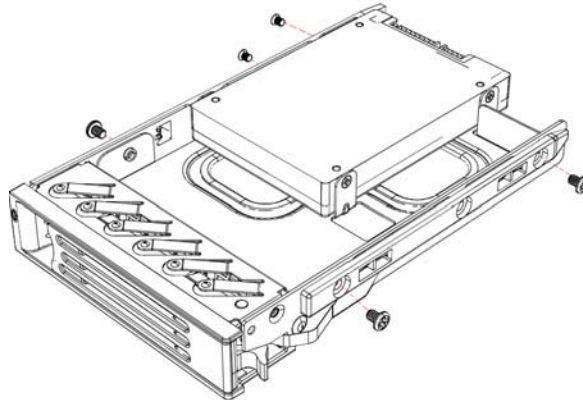
# Install Hard Drive Bracket into Carrier

1. Push the bracket into the rail of the carrier to align the screw holes with the right and left rail. Pay attention to the standoff on the left back of the bracket, push the left rail outward and get standoff seat into the screw hole of the rail.

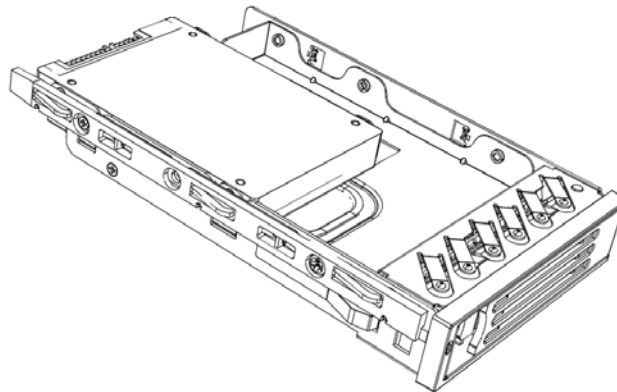


**Figure 5. Installing the bracket into the rail**

2. Secure the screws on the right and left rail of hard drive carrier.



**Figure 6. Securing Screws on the Rails**



**Figure 7. Left view after Installation**