



Intel® Processor

PLACE
LABEL
HERE

Attn: Corp. Quality
Intel Corporation
2200 Mission College Blvd.
Santa Clara CA 95054-1549
USA

EU Single Point of Contact:
Intel Deutschland GmbH
z. H. Corp. Quality
Am Campeon 10-12
85579 Neubiberg
GERMANY

EU Single Point of Contact:
Intel Corporation (UK) Ltd.
Attn: Corp. Quality
Pipers Way
Swindon
Wiltshire
SN3 1RJ
UNITED KINGDOM



In the EU, this symbol means that this product must not be disposed of with household waste. It is your responsibility to bring it to a designated collection point for the recycling of waste electrical and electronic equipment. For more information, please contact your local waste collection center or your point of purchase.

Intel, the Intel Logo, and any other marks are trademarks of Intel Corporation or its subsidiaries. For more information, see [intel.com](https://www.intel.com).

Other names and brands may be claimed as the property of others.

© 2022 Intel Corporation



This processor is intended to be professionally installed. Take proper electrostatic discharge (ESD) precautions such as using appropriate ground straps, gloves, and ESD mats. Before installation, read additional information on <http://www.intel.com/support/processors>.

Images in this manual are only intended as representations. The actual component appearance may vary.



Este procesador debe ser instalado por un profesional. Tome las precauciones sobre descarga electrostática apropiadas, por ejemplo el uso de las debidas conexiones a tierra, guantes y tapetes antiestática. Antes de la instalación, lea la información adicional en http://www.intel.com/p/es_XL/support/processors.

Las imágenes de este manual sólo pretenden ser representaciones. El aspecto del componente real puede variar.



Ce processeur est destiné à être installé par un professionnel. Prendre les précautions appropriées quant aux décharges électrostatiques (ESD) telles que l'utilisation de tresses de mise à la terre, de gants et de tapis antistatiques appropriés. Avant l'installation, lire les informations supplémentaires sur http://www.intel.com/p/fr_FR/support/processors.

Les images de ce manuel ne sont que des représentations. L'aspect réel des composants peut être différent.



Procesor ten wymaga fachowej instalacji. Należy zadbać o odpowiednie środki ostrożności przed wyładowaniami elektrostatycznymi poprzez użycie odpowiednich pasków uziemiających, rękawic i mat zapobiegających wyładowaniom elektrostatycznym. Przed rozpoczęciem instalacji należy zapoznać się z dodatkowymi informacjami na stronie <http://www.intel.com/support/processors>.

Obrazy przedstawione w tej instrukcji mają wyłącznie charakter ilustracyjny. Rzeczywisty wygląd elementów może być inny.



이 프로세서는 전문적인 설치가 요구됩니다. 적절한 접지 스트랩, 장갑 및 ESD 매트 사용과 같이 올바른 정전기 방전(ESD) 조치를 취하십시오. 설치 전에 http://www.intel.com/p/ko_KR/support/processors의 추가 정보를 읽으십시오.

이 설명서의 이미지는 설명 용도로만 고안된 것입니다. 실제 구성 요소의 모양은 이와 다를 수 있습니다.



Dieser Prozessor ist für die professionelle Installation vorgesehen. Treffen Sie ausreichende Sicherheitsvorkehrungen zur elektrostatischen Entladung (ESD), wie Erdungsbänder, Handschuhe und ESD-Schutzmatten. Machen Sie sich vor der Installation mit zusätzlichen Informationen vertraut: http://www.intel.com/p/de_DE/support/processors.

Alle Illustrationen in diesem Handbuch dienen lediglich zu Darstellungszwecken. Das tatsächliche Erscheinungsbild der Komponente kann variieren.



Questo processore è progettato per essere installato da personale specializzato. Adottare misure adeguate contro le scariche elettrostatiche (ESD), come l'utilizzo di piattine di messa a terra, guanti e tappetini antistatici appropriati. Prima dell'installazione, leggere ulteriori informazioni in http://www.intel.com/p/it_IT/support/processors.

Le immagini incluse in questo manuale sono da intendersi solo come rappresentazioni. Il componente reale potrebbe avere un aspetto diverso.



Este processador deve ser instalado em nível profissional. Tome as precauções adequadas contra descarga eletrostática (ESD), como utilizar as tiras de aterramento apropriadas, luvas e tapetes antidescarga eletrostática. Antes de instalar, leia informações adicionais em http://www.intel.com/p/pt_BR/support/processors.

As imagens neste manual são apenas para fins de representação. A aparência real do componente pode apresentar variações.



Этот процессор должен устанавливаться только профессионалами. Выполните все меры по защите от электростатического разряда (ESD), такие как использование соответствующих заземляющих браслетов, перчаток и защитных электростатических ковриков. Перед установкой ознакомьтесь с дополнительной информацией на странице http://www.intel.com/p/ru_RU/support/processors.

Изображения в данном руководстве предназначены только для наглядного представления. Действительный вид компонента может быть иным.



這個處理器應由專業人士安裝。採取靜電放電 (ESD) 的預防措施，例如適當使用接地帶、防靜電手套、和防靜電地墊。安裝之前，請到 http://www.intel.com/p/zh_TW/support/processors 閱讀詳細資訊。

本手冊中的圖像僅供示意之用。實際的元件外觀可能會有所不同。



此处理器必须由专业人员安装。采取适当的静电放电 (ESD) 预防措施，如使用适当的接地线、手套和静电放电垫等。安装之前，请登录 http://www.intel.com/p/zh_CN/support/processors 了解更多信息。

本手册中的图像仅作参考之用。实际的组件外观可能有所不同。



このプロセッサは、専門家によるインストールを意図しています。適切なアース用ストラップ、手袋、静電気放電 (ESD) マットなどを使用して、静電気放電 (ESD) の注意事項に正しく従ってください。インストールを行う前に、http://www.intel.com/p/ja_JP/support/processors にある情報をお読みください。

このマニュアルの画像は、例の表現のみを意図しています。実際のコンポーネントの外観は異なることがあります。



Bu işlemcinin profesyoneller tarafından kurulması gerekmektedir. Uygun elektrostatik deşarj (ESD) önlemleri alın, örneğın uygun topraklama kayışları, eldivenler ve ESD kullanın. Kurulumdan önce, <http://www.intel.com/support/processors> adresindeki ek bilgiyi okuyun.

Bu kılavuzdaki resimler yalnızca temsil amacıyla kullanılmaktadır. Asıl bileşenin görünümü farklılık gösterebilir.



صمم هذا المعالج كي يثبتته شخص مهني متخصص. اتخذ الاحتياطات المناسبة عند إجراء التفريغ الكهربائي (ESD) مثل استخدام أشرطة التأريض المناسبة والقفازات ووسائد التفريغ الكهربائي (ESD). قبل التثبيت، طالع المعلومات الإضافية الموجودة على العنوان <http://www.intel.com/support/processors>.

تستخدم الصور الموجودة في هذا الدليل كعروض تقديمية فقط. قد يختلف مظهر المكون الفعلي.

Disclaimer

Intel technologies may require enabled hardware, specific software, or services activation. Check with your system manufacturer or retailer.

Las tecnologías Intel podrían requerir hardware habilitado, software específico o la activación de servicios. Consulte al fabricante o al vendedor del sistema.

Les technologies Intel peuvent nécessiter l'activation de matériel, d'un logiciel spécifique ou de services. Consultez le constructeur ou le revendeur de votre ordinateur.

Technologie Intel mogą wymagać obsługującego je sprzętu, oprogramowania lub aktywacji usług. Informacji udziela producent komputera lub sprzedawca.

인텔 기술은 지원되는 하드웨어, 특정 소프트웨어 또는 서비스 활성화가 필요할 수 있습니다. 시스템 제조업체 또는 대리점에 문의하십시오.

Für die Nutzung von Intel-Technik kann entsprechend vorbereitete Hardware, bestimmte Software oder die Aktivierung von Diensten erforderlich sein. Informieren Sie sich beim Systemhersteller oder Einzelhändler.

Le technologie Intel potrebbero richiedere hardware abilitato, software specifico o l'attivazione di servizi. Consultare il produttore o il rivenditore del sistema.

As tecnologias Intel podem exigir hardware habilitado, software específico ou ativação de serviços. Verifique com o fabricante ou revendedor do seu sistema.

Для технологий Intel могут потребоваться функционирующее аппаратное или определенное программное обеспечение или активация сервисов. Проконсультируйтесь с производителем или продавцом ПК.

Intel 技術可能需要支援的硬體、特定軟體或服務啟動。請向您的系統製造商或零售商查詢。

英特尔技术可能需要受支持的硬件，特定软件，或服务激活。请咨询您的系统制造商或零售商。

インテルのテクノロジーを使用するには、対応するハードウェア、特定のソフトウェア、またはサービスの有効化が必要となる場合があります。各システムメーカーまたは小売企業にお問い合わせください。

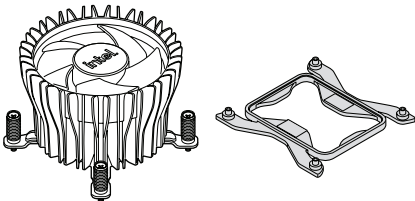
Intel teknolojileri; etkinleştirilmiş donanım, özel yazılım ya da hizmet aktivasyonu gerektirebilir. Sistem üreticinize veya bayinize başvurun.

قد تتطلب تقنيات Intel® تنشيط أجهزة ممكنة أو برامج محددة أو خدمات محددة. راجع الشركة المصنعة للنظام أو بائع التجزئة.

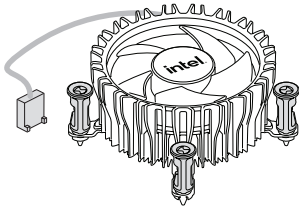
Intel® Laminar Cooler Family

www.intel.com/processorinstall

Intel® Laminar RH1 + Backplate



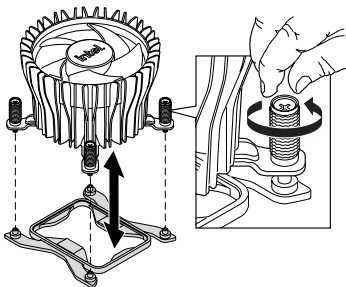
Intel® Laminar RM1/RS1



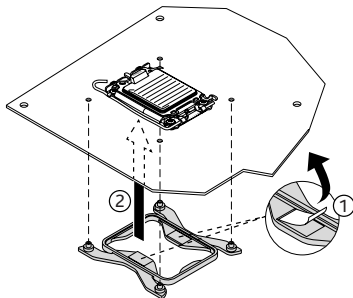
Intel® Laminar RHI Cooler Backplate Installation

www.intel.com/processorinstall

1



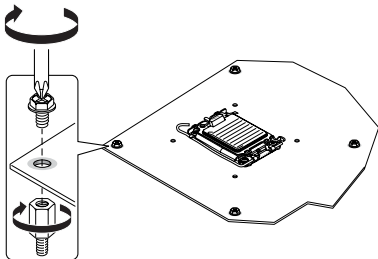
2



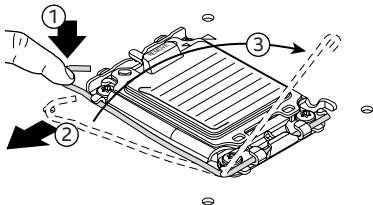
Processor Installation

www.intel.com/processorinstall

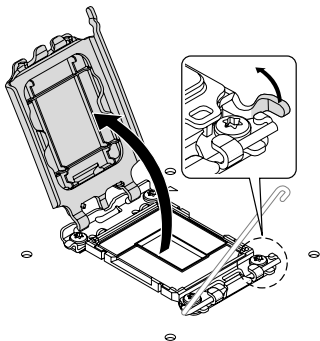
1



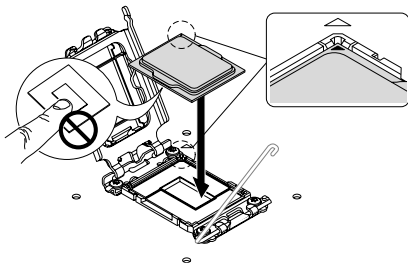
2



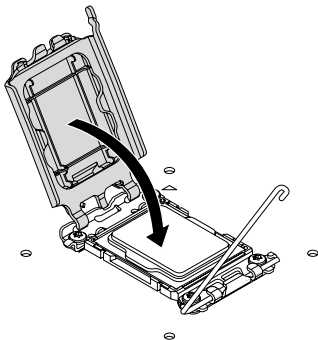
3



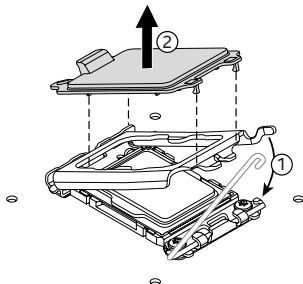
4



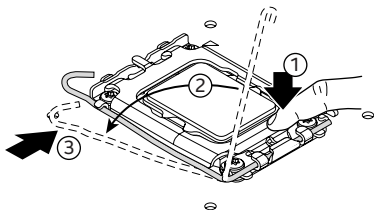
5



6



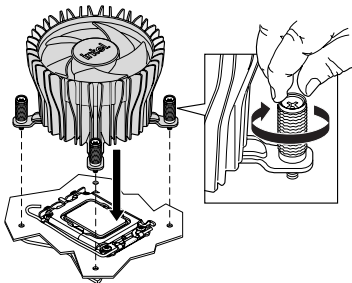
7



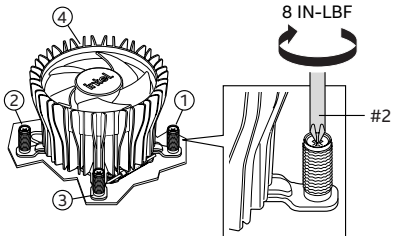
Intel® Laminar RH1 Cooler Installation

www.intel.com/processorinstall

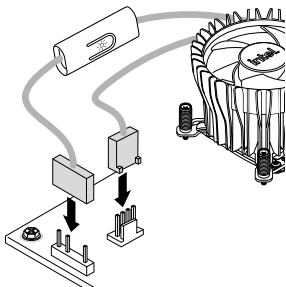
1



2

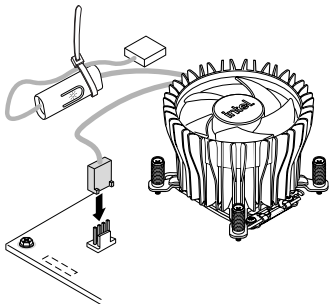


3A



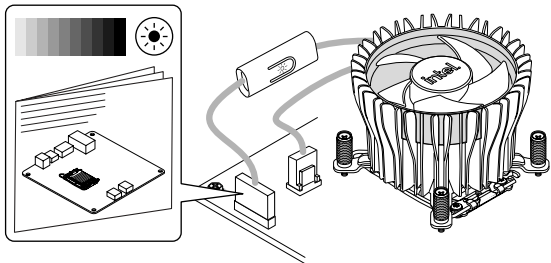
OR

3B



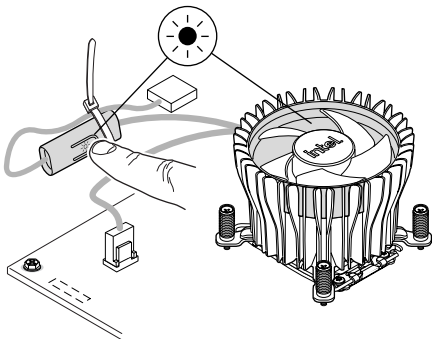
Intel® Laminar RH1 Lighting Control (using Motherboard aRGB Software)

www.intel.com/processorinstall



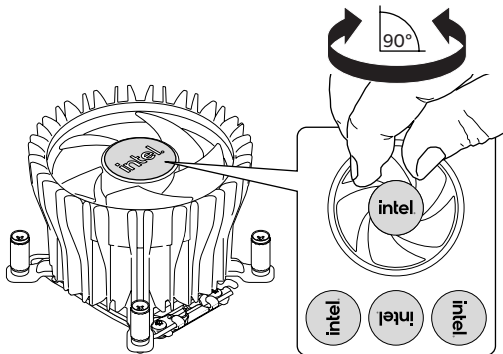
Intel® Laminar RH1 Lighting Control (Motherboard without aRGB)

www.intel.com/processorinstall



Intel® Laminar RH1 Cooler Logo Orientation

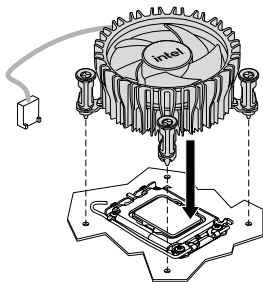
www.intel.com/processorinstall



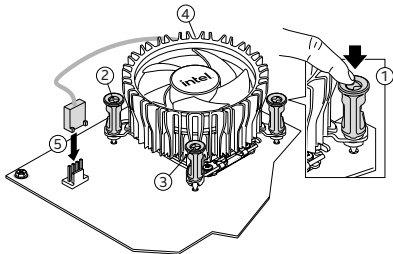
Intel® Laminar RM1/RS1 Cooler Installation

www.intel.com/processorinstall

1



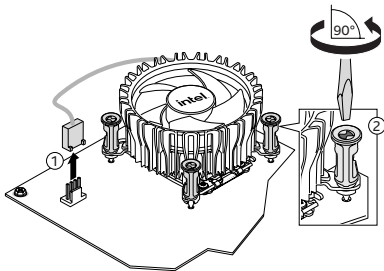
2



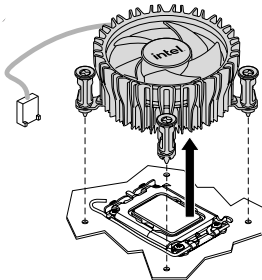
Intel® Laminar RM1/RS1 Cooler Removal

www.intel.com/processorinstall

1



2



This Page Intentionally Left Blank

INTEL® BOXED PROCESSORS LIMITED WARRANTY¹

If you are a consumer located outside of the US, certain limitations and exclusions in this Limited Warranty may not apply to you; please visit www.intel.com/ProcessorWarranty.

Subject to the exclusions and limitations contained herein, Intel warrants to the purchaser of this boxed Intel processor and its thermal solution (if included) (the "Product") in its original sealed packaging ("Original Purchaser") and to the original purchaser of a computer system built by an Original Purchaser containing the Product ("Original System Customer") as follows: the Product will materially conform to Intel's publicly available specifications, and if the Product is properly used and installed, it will be free from material defects in material and workmanship for 3 years from the purchase date of (1) the Product in its original sealed packaging or (2) the computer system containing the Product ("Computer System").

SOFTWARE OF ANY KIND DELIVERED WITH OR AS PART OF THE PRODUCT IS EXPRESSLY PROVIDED "AS IS" UNLESS SPECIFICALLY PROVIDED FOR OTHERWISE IN ANY SOFTWARE LICENSE ACCOMPANYING THE SOFTWARE.

If the Product fails to conform to the above Limited Warranty during the warranty period, Intel, at its option, will:

REPAIR the Product;

REPLACE it with a new or reconditioned Product of equal or better functionality

OR, REFUND its value at the time of the warranty claim (as determined by the recommended customer price on ark.intel.com).

This will be the exclusive remedy for any breach of warranty.

This Limited Warranty, and any implied warranties that may exist under applicable law, extend only to the Original Purchaser or the Original System Customer and last only for as long as the Original Purchaser or the Original System Customer continues to own the Product. This Limited Warranty is not transferrable to subsequent purchasers of the Product.

EXTENT OF LIMITED WARRANTY

Intel does not warrant that the Product, whether purchased stand-alone or integrated with other products, including without limitation semiconductor components, will be: failsafe; work without interruption or error; or be free from design defects or errors, designated by Intel as “errata”, including “errata” that may cause the Product (or any firmware embedded in the Product) to deviate from published specifications. Intel may designate “errata” in its sole discretion, including after Product delivery or after your making of a warranty claim. Contact Intel for information on current characterized errata.

This Limited Warranty does NOT cover:

- normal wear and tear due to use of the Product;
- accessories, parts or software added to the Product after the system is shipped from Intel;
- any costs associated with the replacement or repair of the Product, including labor, installation or other costs incurred by you, and in particular, any costs relating to the removal or replacement of any Product soldered or otherwise permanently affixed to any printed circuit board or integrated with other products;
- damage to the Product, defective conditions, or non-conformities due to: (1) external causes, including accident, problems with electrical power, abnormal conditions (such as mechanical or environmental); (2) usage not in accordance with Product instructions; (3) misuse, neglect, alteration, repair; (4) improper installation, testing, maintenance, or calibration; (5) operation outside environmental specifications; (6) Non-Intel supplied software or hardware; or (7) failure to apply Intel-supplied modifications or corrections;

- any malfunctions or other errors in the Product caused by any third-party virus, infection, worm or similar malicious code; Intel does not give or enter into any condition, warranty, or other terms to the effect that the Product will protect against all possible security threats, including intentional misconduct by third parties;
- any Product where the original identification markings have been removed, altered or obliterated;
- any Product that has been modified or operated outside of Intel's publicly available specifications, including where clock frequencies or voltages have been altered with any Intel tools or through other means; Intel does not give or enter into any condition, warranty, or other terms to the effect that the Product, including if used with altered clock frequencies or voltages, (1) will be fit for any particular purpose, or (2) will not cause any damage or injury.

Other Limitations:

- Any products purchased from Intel Resale Corporation carry no warranty from Intel Corporation and are not products covered by this Limited Warranty. Intel Corporation does not sell used products and therefore Intel Corporation does not offer or honor warranty requests for them. For any warranty for used products, you must contact the company that sold them to you to determine whether any warranty is available from them.
- Any fraudulent activity regarding the request for warranty services from Intel will nullify the warranty request. Intel reserves the right to contact law enforcement regarding fraudulent activity.
- Intel retains the right to retain any fraudulent, counterfeit, or remarked product sent to Intel for warranty service to prevent such items from being released into the stream of commerce.

- Intel non-production products (e.g., engineering or qualification samples) are the property of Intel Corporation and carry no retail warranty and are not Products covered by this Limited Warranty. Intel retains the right to retain Intel non-production products sent to Intel for warranty service to prevent such items from being released into the stream of commerce.
- From time to time, Intel loans products for marketing and sales purposes. These loaned products do not carry a retail warranty and are not Products covered by this Limited Warranty. Any warranty services may be provided by the Intel teams making the loan. Intel retains the right to retain Intel loaned products sent to Intel for warranty service to prevent such items from being released into the stream of commerce.

HOW TO OBTAIN WARRANTY SERVICE

You may contact your place of purchase or you may contact Intel by calling an Intel Customer Support (ICS) center during business hours. You will be required to provide (1) your contact details; (2) proof of purchase; (3) model name and Product identification number; (4) an explanation of the problem and (5) more information if necessary. If ICS confirms that the Product is eligible for warranty service, you will receive a Return Material Authorization (RMA) number and instructions for returning the Product. Intel will ship to you, at its expense, the repaired or replaced Product within a reasonable period upon receipt of the returned Product. The replacement product will be warranted under the terms contained in this Limited Warranty, including its exclusions, except that the term of the warranty will be whichever of the following two periods is longer: (1) 90 days, beginning on the date of shipment of the repaired or replaced Product to you, or (2) the remainder of the warranty period for the returned Product plus an additional period equal to the number of days between when you notify ICS of the need for warranty service and when you received the repaired or replaced Product.

WARRANTY LIMITATIONS AND EXCLUSIONS

THIS WARRANTY SUPERSEDES ALL OTHER WARRANTIES FOR AND REPRESENTATIONS ABOUT THE PRODUCT. INTEL DISCLAIMS ALL OTHER EXPRESS WARRANTIES AND ANY WARRANTIES ARISING FROM COURSE OF PERFORMANCE, COURSE OF DEALING OR USAGE OF TRADE. ANY IMPLIED WARRANTIES, INCLUDING, WITHOUT LIMITATION, THE IMPLIED WARRANTIES OF MERCHANTABILITY, FITNESS FOR A PARTICULAR PURPOSE, AND NON-INFRINGEMENT, ARE LIMITED IN DURATION TO THE PERIOD OF THE LIMITED WARRANTY. NO WARRANTIES APPLY AFTER THAT PERIOD. SOME STATES (OR JURISDICTIONS) DO NOT ALLOW THE EXCLUSION OF IMPLIED WARRANTIES, AND LIMITATIONS ON THEIR DURATION, SO THE ABOVE LIMITATIONS MAY NOT APPLY TO YOU.

LIMITATIONS OF LIABILITY

INTEL'S RESPONSIBILITY UNDER THIS OR ANY OTHER WARRANTY, IMPLIED OR EXPRESS, IS LIMITED TO REPAIR, REPLACEMENT OR REFUND. THESE REMEDIES ARE THE SOLE AND EXCLUSIVE REMEDIES FOR ANY BREACH OF WARRANTY. TO THE MAXIMUM EXTENT PERMITTED BY LAW, INTEL IS NOT RESPONSIBLE FOR ANY DIRECT, SPECIAL, INCIDENTAL, OR CONSEQUENTIAL DAMAGES RESULTING FROM ANY BREACH OF WARRANTY OR UNDER ANY OTHER LEGAL THEORY (INCLUDING, WITHOUT LIMITATION, LOST PROFITS, DOWNTIME, GOODWILL, DAMAGE TO OR REPLACEMENT OF EQUIPMENT AND PROPERTY, AND ANY COSTS OF RECOVERING, REPROGRAMMING, OR REPRODUCING ANY PROGRAM OR DATA STORED IN OR USED WITH A COMPUTER SYSTEM), EVEN IF INTEL HAS BEEN ADVISED OF THE POSSIBILITY OF THESE DAMAGES. SOME STATES (OR JURISDICTIONS) DO NOT ALLOW THE EXCLUSION OR LIMITATION OF INCIDENTAL OR CONSEQUENTIAL DAMAGES, SO THE ABOVE LIMITATION OR EXCLUSION MAY NOT APPLY TO YOU.

THIS WARRANTY GIVES YOU SPECIFIC LEGAL RIGHTS, AND YOU MAY ALSO HAVE OTHER RIGHTS WHICH VARY FROM STATE TO STATE OR BY JURISDICTION. THE PARTIES AGREE THAT THE UNITED NATIONS CONVENTION ON CONTRACTS FOR THE INTERNATIONAL SALE OF GOODS (1980) IS SPECIFICALLY EXCLUDED FROM AND WILL NOT APPLY TO THIS AGREEMENT. ANY DISPUTE ARISING UNDER OR RELATED TO THIS LIMITED WARRANTY WILL BE ADJUDICATED IN THE FOLLOWING FORUMS AND GOVERNED BY THE FOLLOWING LAWS (EXCEPT FOR MAINLAND CHINA), WITHOUT REFERENCE TO CONFLICT OF LAWS PROVISIONS: FOR THE USA AND THE REST OF THE AMERICAS, THE EXCLUSIVE FORUM WILL BE THE COURTS OF THE STATE OF DELAWARE, USA OR OF THE FEDERAL COURTS SITTING IN THAT STATE, AND THE APPLICABLE LAW WILL BE THAT OF THE STATE OF DELAWARE. FOR ASIA PACIFIC, THE EXCLUSIVE FORUM WILL BE SINGAPORE AND THE APPLICABLE LAW WILL BE THAT OF SINGAPORE. FOR JAPAN, THE EXCLUSIVE FORUM WILL BE TOKYO AND THE APPLICABLE WILL BE THAT OF JAPAN. FOR EUROPE AND THE REST OF THE WORLD, THE EXCLUSIVE FORUM WILL BE LONDON AND THE APPLICABLE LAW WILL BE THAT OF ENGLAND AND WALES. IF ANY TRANSLATED VERSION OF THIS LIMITED WARRANTY CONFLICTS WITH THIS ENGLISH VERSION, THE ENGLISH VERSION WILL CONTROL (EXCEPT FOR THE SIMPLIFIED CHINESE VERSION).

¹ This Intel Boxed Processor Limited Warranty applies to eligible Intel processors and thermal solutions (if included) that are packaged in authentic Intel packaging and sold to end customers as standalone components. The Intel Boxed Processor Limited Warranty does NOT apply to processors contained within OEM systems; such processors are subject to OEM manufacturer warranties (if any).

This Page Intentionally Left Blank

GARANTÍA LIMITADA DE LOS PROCESADORES INTEL® EN CAJA¹

Si es usted un consumidor ubicado fuera de los EE. UU., algunas limitaciones y exclusiones de esta garantía limitada podrían no aplicarle; por favor, visite: www.intel.com/ProcessorWarranty.

Sujeto a las exclusiones y limitaciones mencionadas en el presente documento, Intel garantiza al comprador de este procesador Intel en caja y su solución térmica (si se incluye) (el "Producto") en su embalaje sellado original ("Comprador original") y al comprador original de un sistema informático construido por un comprador original que contenga el Producto ("Cliente de sistema original") lo siguiente: el Producto se ajustará materialmente a las especificaciones de Intel disponibles públicamente, y si el Producto se utiliza e instala correctamente, estará libre de defectos materiales y de fabricación durante 3 años desde la fecha de compra del (1) Producto en su embalaje original o (2) el sistema informático que contenga el Producto ("Sistema informático").

EL SOFTWARE DE CUALQUIER TIPO QUE SE SUMINISTRE CON O COMO PARTE DEL PRODUCTO SE SUMINISTRA EXPRESAMENTE «TAL CUAL», A MENOS QUE SE ESTIPULE ESPECÍFICAMENTE LO CONTRARIO EN CUALQUIER LICENCIA DE SOFTWARE QUE ACOMPAÑE AL SOFTWARE.

Si el Producto no cumple con la Garantía limitada mencionada anteriormente, durante el período de garantía, Intel podrá, a su discreción:

REPARARÁ el Producto;

REEMPLAZARÁ con un producto nuevo o reacondicionado de igual o mejor funcionalidad

O, REEMBOLSARÁ su valor en el momento de la reclamación de la garantía (según el precio recomendado al cliente en ark.intel.com).

Esta será la única solución ante cualquier incumplimiento de la garantía.

Esta Garantía limitada, y cualquier garantía implícita que pueda existir en virtud de las leyes aplicables, se extiende solo al Comprador original o al Cliente del sistema original y dura solamente el tiempo que el Comprador original o el Cliente del sistema original continúen siendo propietarios del Producto. Esta Garantía limitada no es transferible a posteriores compradores del Producto.

ALCANCE DE LA GARANTÍA LIMITADA

Intel no garantiza que el Producto, tanto si se adquiere de forma independiente como integrado en otros productos, incluidos, sin limitación, los componentes para semiconductores, sea: a prueba de errores, de funcionamiento ininterrumpido o sin errores; o libre de defectos o errores de diseño, designados por Intel como "erratas", incluidas las "erratas" que puedan hacer que el Producto (o cualquier firmware integrado en el Producto) se desvíe de las especificaciones publicadas. Intel puede designar "erratas" a su entera discreción, incluso tras la entrega del Producto o tras haber presentado usted una reclamación de la garantía. Póngase en contacto con Intel para obtener información sobre las erratas detectadas actualizadas.

Además, esta Garantía limitada NO cubre:

- el desgaste y deterioro normales debido al uso del Producto;
- accesorios, piezas o software añadidos al Producto después de que el sistema haya sido enviado desde Intel;
- ningún coste relativo a la reparación o la sustitución del Producto, incluida la mano de obra, instalación u otros gastos en los que usted pueda incurrir y, en concreto, los derivados de la eliminación o sustitución de cualquier Producto soldado o fijado permanentemente de cualquier manera a cualquier placa de circuitos impresos o que haya sido integrado en otros productos;
- daños en el Producto, condiciones defectuosas o no conformidades debido a: (1) causas externas, incluidos accidentes, problemas con

el suministro eléctrico, condiciones anormales (como mecánicas o ambientales); (2) uso no conforme a las instrucciones del Producto; (3) uso indebido, negligencia, alteración, reparación; (4) instalación inadecuada, pruebas, mantenimiento o calibración; (5) funcionamiento fuera de las especificaciones ambientales; (6) software o hardware no suministrado por Intel; o (7) fallo a la hora de aplicar modificaciones o correcciones suministradas por Intel;

- cualquier mal funcionamiento u otros errores en el Producto causados por cualquier virus, infección, gusano o código malicioso similar de terceros; Intel no ofrece ni acepta ninguna condición, garantía u otros términos en el sentido de que el Producto vaya a proteger frente a todas las posibles amenazas de seguridad, incluida la mala conducta intencional por parte de terceros;
- cualquier Producto cuyas marcas de identificación originales hayan sido eliminadas, alteradas o borradas;
- cualquier Producto que haya sido modificado o utilizado fuera de las especificaciones disponibles públicamente de Intel, incluso cuando las frecuencias o voltajes del reloj hayan sido alterados con cualquier herramienta Intel o a través de otros medios; Intel no ofrece ni acepta ninguna condición, garantía u otros términos en el sentido de que el Producto, incluso si se utiliza con frecuencias de reloj o voltajes alterados (1) será apto para cualquier propósito concreto, o (2) no causará daños o lesiones.

Otras limitaciones:

- Cualquier producto adquirido a Intel Resale Corporation no cuenta con la garantía de Intel Corporation y no será cubierto por esta Garantía limitada. Intel Corporation no vende productos de segunda mano y, por lo tanto, no ofrece ni acepta solicitudes de garantía para estos. Para cualquier garantía de los productos de segunda mano, debe ponerse en contacto con la empresa que se los vendió para determinar si existe alguna garantía disponible por su parte.

- Cualquier actividad fraudulenta en relación con la solicitud de servicios de garantía de Intel anulará la solicitud de garantía. Intel se reserva el derecho de ponerse en contacto con las fuerzas de seguridad en caso de actividad fraudulenta.
- Intel se reserva el derecho de retener cualquier producto fraudulento, falsificado o remarcado enviado a Intel para el servicio de garantía con el fin de evitar que dichos artículos salgan de nuevo al mercado.
- Los productos Intel que no estén destinados a la producción (por ejemplo, muestras de ingeniería o para calificación) son propiedad de Intel Corporation, no cuentan con garantía de venta y no están cubiertos por esta Garantía limitada. Intel se reserva el derecho de retener cualquier producto que no esté destinado a la producción enviado a Intel para el servicio de garantía, con el fin de evitar que dichos artículos salgan al mercado.
- De vez en cuando, Intel cede productos con fines de marketing y venta. Estos Productos cedidos no tienen garantía de venta y no están cubiertos por esta Garantía limitada. Cualquier posible servicio de garantía sería proporcionado en todo caso por los equipos Intel responsables de la cesión. Intel se reserva el derecho de retener los productos Intel cedidos enviados a Intel para el servicio de garantía con el fin de evitar que dichos artículos salgan al mercado.

CÓMO OBTENER EL SERVICIO DE GARANTÍA

Puede ponerse en contacto con el lugar de compra, o bien con Intel llamando al centro de asistencia al cliente Intel (ICS) en horario comercial. Se le solicitarán: (1) sus datos de contacto; (2) justificante de compra; (3) nombre del modelo y número de identificación del producto; (4) una explicación del problema y (5) más información si fuera necesario. Si el servicio de asistencia al cliente Intel confirma que el producto es apto para el servicio de garantía, recibirá un número de autorización de devolución de material (RMA) y las instrucciones que deberá seguir para realizar la devolución del producto. Intel enviará, a cargo propio, el producto reparado o reemplazado en un plazo razonable tras la recepción del Producto devuelto. El producto de reemplazo estará garantizado en

virtud de los términos contenidos en esta Garantía limitada, incluidas sus exclusiones a excepción del plazo de garantía, que será el más prolongado de los dos periodos siguientes: (1) 90 días, a partir de la fecha en que se le envíe a usted el Producto reparado o de reemplazo, o (2) el período de garantía restante para el Producto devuelto, más un período equivalente al número de días entre el momento en que usted notifique a ICS la necesidad del servicio de garantía y el momento en que usted reciba el Producto reparado o reemplazado.

RESTRICCIONES Y EXCLUSIONES DE LA GARANTÍA

ESTA GARANTÍA SUSTITUYE A TODAS LAS DEMÁS GARANTÍAS Y REPRESENTACIONES SOBRE EL PRODUCTO. INTEL RENUNCIA A CUALQUIER OTRA GARANTÍA EXPLÍCITA, ASÍ COMO A LAS GARANTÍAS SURGIDAS EN EL MARCO DE SU EJECUCIÓN O NEGOCIACIÓN O DERIVADAS DE SU USO COMERCIAL. CUALQUIER GARANTÍA IMPLÍCITA, LO QUE INCLUYE, SIN LIMITARSE A ELLO, LAS GARANTÍAS IMPLÍCITAS DE COMERCIABILIDAD, APTITUD PARA UN PROPÓSITO ESPECÍFICO Y AUSENCIA DE INFRACCIÓN, SE LIMITAN EN DURACIÓN AL PERÍODO DE LA GARANTÍA LIMITADA. UNA VEZ TERMINADO DICHO PERÍODO, LAS GARANTÍAS DEJARÁN DE SER VÁLIDAS. ALGUNOS ESTADOS (O JURISDICCIONES) NO PERMITEN LA EXCLUSIÓN DE GARANTÍAS IMPLÍCITAS, NI LAS LIMITACIONES A SU DURACIÓN, POR LO TANTO, LAS LIMITACIONES ANTERIORES PODRÍAN NO APLICARSE EN SU CASO.

LIMITACIÓN DE RESPONSABILIDAD

LA RESPONSABILIDAD DE INTEL CON RESPECTO A ESTA GARANTÍA O CUALQUIER OTRA, YA SEA IMPLÍCITA O EXPLÍCITA, ESTÁ LIMITADA A LA REPARACIÓN, EL REEMPLAZO O EL REEMBOLSO. LAS ANTERIORES COMPENSACIONES SON LAS ÚNICAS QUE SE PODRÁN OBTENER EN CASO DE INCUMPLIMIENTO DE LA GARANTÍA. EN LA MEDIDA PERMITIDA

POR LA LEY, INTEL NO SERÁ RESPONSABLE DE LOS DAÑOS DIRECTOS, ESPECIALES, INCIDENTALES O SECUNDARIOS DERIVADOS DE UN QUEBRANTAMIENTO DE LA GARANTÍA O EN VIRTUD DE CUALQUIER OTRO SUPUESTO LEGAL (INCLUYENDO, ENTRE OTROS, PÉRDIDA DE BENEFICIOS, PERÍODOS DE INACTIVIDAD, FONDOS DE COMERCIO, DAÑOS O SUSTITUCIÓN DE EQUIPOS Y PROPIEDADES, ASÍ COMO LOS GASTOS DE RECUPERACIÓN, REPROGRAMACIÓN, O REPRODUCCIÓN DE CUALQUIER PROGRAMA O DATOS GUARDADOS O EMPLEADOS CON UN SISTEMA INFORMÁTICO), INCLUSO SI INTEL HUBIERA SIDO ADVERTIDO DE LA POSIBILIDAD DE DICHA DAÑOS. ALGUNOS ESTADOS (O JURISDICCIONES) NO PERMITEN LA EXCLUSIÓN O LIMITACIÓN DE DAÑOS INCIDENTALES O SECUNDARIOS, POR LO QUE LAS LIMITACIONES O EXCLUSIONES ANTEDICHAS PODRÍAN NO APLICARSE EN SU CASO.

ESTA GARANTÍA LE OTORGA DERECHOS LEGALES ESPECÍFICOS, Y TAMBIÉN PUEDE TENER OTROS DERECHOS QUE VARÍAN DE UN ESTADO A OTRO O SEGÚN LA JURISDICCIÓN. LAS PARTES ACUERDAN QUE LA CONVENCIÓN DE LAS NACIONES UNIDAS SOBRE CONTRATOS DE COMPRAVENTA INTERNACIONAL DE BIENES (1980) QUEDA EXCLUIDA ESPECÍFICAMENTE Y NO SE APLICARÁ A ESTE ACUERDO. CUALQUIER DISPUTA QUE SURJA EN VIRTUD O EN RELACIÓN CON ESTA GARANTÍA LIMITADA SE RESOLVERÁ EN LOS SIGUIENTES FOROS Y SE REGIRÁ POR LAS LEYES SIGUIENTES (EXCEPTO EN EL CASO DE CHINA CONTINENTAL), SIN REFERENCIA A LAS DISPOSICIONES SOBRE CONFLICTOS DE LEYES: PARA EE. UU. Y EL RESTO DE LAS AMÉRICAS, DICHO FORO SERÁN LOS TRIBUNALES DEL ESTADO DE DELAWARE, EE. UU. O LAS CORTES FEDERALES CON SEDE EN ESE ESTADO, Y LA LEY APLICABLE SERÁ LA DEL ESTADO DE DELAWARE. PARA EL PACÍFICO ASIÁTICO, EL FORO EXCLUSIVO SERÁ SINGAPUR Y LA LEY APLICABLE SERÁ LA DE SINGAPUR. PARA JAPÓN, EL FORO EXCLUSIVO SERÁ TOKIO Y LA LEY

APLICABLE SERÁ LA DE JAPÓN. PARA EUROPA Y EL RESTO DEL MUNDO, EL FORO EXCLUSIVO SERÁ LONDRES Y LA LEY APLICABLE SERÁ LA DE INGLATERRA Y GALES. SI ALGUNA VERSIÓN TRADUCIDA DE ESTA GARANTÍA LIMITADA CONTRADIJERA LA VERSIÓN EN INGLÉS, LA VERSIÓN EN INGLÉS PREVALECERÁ (EXCEPTO EN EL CASO DE LA VERSIÓN EN CHINO SIMPLIFICADO).

¹ Esta garantía limitada de los procesadores Intel en caja se aplica a los procesadores Intel y a las soluciones térmicas admitidas (si se incluyen) empaquetadas en embalaje original Intel y de venta a clientes finales como componentes independientes. La garantía limitada de los procesadores Intel en caja NO es aplicable a los procesadores dentro de sistemas OEM; dichos procesadores están sujetos a la garantía del fabricante OEM (si la hubiera).

GARANTIE LIMITÉE DES PROCESSEURS INTEL® EN BOÎTE¹

Si vous êtes un consommateur situé en dehors des États-Unis, vous n'êtes peut-être pas concerné par certaines limitations et exclusions de la présente garantie limitée. Veuillez consulter : www.intel.fr/ProcessorWarranty.

Sous réserve des exclusions et limitations contenues dans le présent document, Intel garantit ce qui suit à l'acheteur de ce processeur Intel en boîte et de sa solution thermique (le cas échéant) (le « Produit ») dans son emballage scellé d'origine (« Acheteur original »), ainsi qu'à l'acheteur d'origine d'un système informatique construit par un acheteur d'origine contenant le Produit (« Client du système original ») : le Produit sera matériellement conforme aux spécifications d'Intel rendues publiques et, si le Produit est correctement utilisé et installé, il sera exempt de tout défaut matériel et de fabrication pendant 3 ans à compter de la date d'achat (1) du Produit dans son emballage scellé d'origine ou (2) du système informatique contenant le Produit (« Système informatique »).

TOUT LOGICIEL LIVRÉ AVEC LE PRODUIT OU FAISANT PARTIE DU PRODUIT EST EXPRESSÉMENT FOURNI « EN L'ÉTAT », SAUF DISPOSITION CONTRAIRE SPÉCIFIQUE DANS UNE LICENCE D'UTILISATION ACCOMPAGNANT LE LOGICIEL.

Si, durant la période de garantie, le Produit n'est pas conforme à la garantie limitée ci-dessus, Intel pourra, à sa discrétion, prendre les mesures suivantes :

RÉPARER le Produit ;

le **REMPLENER** par un Produit neuf ou reconditionné de fonctionnalité égale ou supérieure

OU, REMBOURSER sa valeur au moment de la demande de garantie (telle que déterminée par le prix client recommandé sur ark.intel.com).

Ce sera là le recours exclusif pour tout manquement à la garantie.

Cette garantie limitée et toute garantie implicite pouvant exister en vertu du droit applicable, ne s'étendra qu'à l'Acheteur original ou au Client du système original et durera aussi longtemps que l'Acheteur original ou le Client du système original possèdera le Produit. Cette garantie limitée n'est pas transférable aux acheteurs ultérieurs du Produit.

ÉTENDUE DE LA GARANTIE LIMITÉE

Intel ne garantit pas que le Produit, qu'il soit acheté seul ou intégré à d'autres produits, notamment mais sans s'y limiter, des composants semi-conducteurs, sera : à l'abri des pannes ; fonctionnera sans interruption ni erreur ; ou sera exempt de défauts de conception ou d'erreurs, désignés par Intel comme « errata », notamment les « errata » qui peuvent amener le Produit (ou tout micrologiciel intégré au Produit) à s'écarter des spécifications publiées. Intel peut désigner les « errata » à sa seule discrétion, notamment après la livraison du Produit ou après que vous ayez fait une demande de garantie. Contactez Intel pour toute information sur les errata actuels caractérisés.

Cette garantie limitée ne couvre PAS :

- l'usure normale due à l'utilisation du Produit ;
- les accessoires, pièces ou logiciels ajoutés au Produit après qu'Intel ait expédié le système ;
- les frais inhérents au remplacement ou à la réparation du Produit, notamment les frais de main d'œuvre, d'installation ou autres encourus par vous, et en particulier tous les frais ayant trait à l'enlèvement ou au remplacement de tout Produit soudé ou fixé de façon permanente à un circuit imprimé ou intégré à d'autres produits ;
- les dommages causés au Produit, les conditions défectueuses ou les non-conformités dus à : (1) des causes externes, notamment un accident, des problèmes d'alimentation électrique, des conditions anormales (notamment mécaniques ou environnementales) ; (2) une utilisation non conforme aux instructions du Produit ; (3) une mauvaise

utilisation, une négligence, une altération, une réparation ; (4) une installation, des tests, une maintenance ou un étalonnage incorrects ; (5) un fonctionnement en dehors des spécifications environnementales ; (6) un logiciel ou un matériel non fourni par Intel ; ou (7) la non-application de modifications ou de corrections fournies par Intel ;

- tout dysfonctionnement ou autre erreur dans le Produit causé par un virus, une infection, un ver ou un code malveillant similaire d'un tiers ; Intel ne donne ni n'accepte aucune condition, garantie ou autre terme selon lequel le Produit protégera contre toutes les menaces de sécurité possibles, notamment les fautes intentionnelles de tiers ;
- tout Produit dont les marques d'identification originales ont été retirées, modifiées ou effacées ;
- tout Produit qui a été modifié ou utilisé en dehors des spécifications publiques d'Intel, notamment lorsque les fréquences d'horloge ou les tensions ont été modifiées à l'aide d'outils Intel ou par d'autres moyens ; Intel ne donne ni n'accepte aucune condition, garantie ou autre terme selon lequel le Produit, notamment s'il est utilisé avec des fréquences d'horloge ou des tensions modifiées, (1) sera adapté à un usage particulier, ou (2) ne causera aucun dommage ou blessure.

Autres limitations :

- Les produits achetés auprès d'Intel Resale Corporation ne bénéficient d'aucune garantie de la part d'Intel Corporation et ne sont pas des produits couverts par cette garantie limitée. Intel Corporation ne vend pas de produits d'occasion. Par conséquent, Intel Corporation ne propose pas et n'honore pas les demandes de garantie les concernant. Pour toute garantie sur les produits d'occasion, vous devez contacter la société qui vous les a vendus pour déterminer si elle propose une garantie.
- Toute activité frauduleuse concernant la demande de services de garantie auprès d'Intel annulera la demande de garantie. Intel se réserve le droit de contacter les forces de l'ordre en cas d'activité frauduleuse.

- Intel se réserve le droit de retenir tout Produit frauduleux, contrefait ou remarqué envoyé à Intel pour un service de garantie afin d'empêcher que de tels articles ne soient remis sur le marché.
- Les produits Intel de non-production (par exemple, les échantillons d'ingénierie ou de qualification) sont la propriété d'Intel Corporation et ne bénéficient d'aucune garantie de vente au détail et ne sont pas des produits couverts par cette garantie limitée. Intel se réserve le droit de retenir les produits Intel de non-production envoyés à Intel pour un service de garantie afin d'empêcher que de tels articles ne soient remis sur le marché.
- De temps à autre, Intel prête des produits à des fins de marketing et de vente. Ces produits prêtés ne bénéficient pas d'une garantie de vente au détail et ne sont pas des produits couverts par la présente garantie limitée. Des services de garantie éventuels peuvent être fournis par les équipes Intel qui accordent le prêt. Intel se réserve le droit de retenir les produits prêtés par Intel qui lui sont envoyés pour un service de garantie afin d'éviter que ces articles ne soient remis sur le marché.

COMMENT OBTENIR LE SERVICE DE GARANTIE

Vous pouvez contacter votre lieu d'achat, ou Intel en appelant l'assistance à la clientèle Intel (ICS) pendant les heures ouvrables. Vous serez invité(e) à fournir (1) vos coordonnées, (2) une preuve d'achat, (3) le nom du modèle et le numéro d'identification du Produit, (4) une explication du problème et (5) d'autres renseignements si nécessaire. Si ICS confirme que le Produit est admissible au service de garantie, vous recevrez un numéro d'autorisation de retour de matériel (RMA) et des instructions pour retourner le Produit. Intel vous enverra, à ses frais, le Produit réparé ou remplacé dans un délai raisonnable après réception du Produit retourné. Le produit de remplacement sera garanti selon les termes de la présente garantie limitée, y compris ses exclusions, sauf que la durée de la garantie sera celle de la plus longue des deux périodes suivantes : (1) 90 jours à compter de la date d'expédition du Produit réparé ou remplacé, ou (2) le reste de la période de garantie du Produit retourné, plus une période

supplémentaire égale au nombre de jours entre le moment où vous avisez ICS de la nécessité d'un service de garantie et celui où vous recevez le Produit réparé ou remplacé.

LIMITATIONS ET EXCLUSIONS DE LA GARANTIE

CETTE GARANTIE REMPLACE TOUTES LES AUTRES GARANTIES ET REPRÉSENTATIONS CONCERNANT LE PRODUIT. INTEL DÉCLINE TOUTE AUTRE GARANTIE EXPRESSE ET TOUTE GARANTIE DÉCOULANT DE L'EXÉCUTION, DU DÉROULEMENT DES OPÉRATIONS OU DE L'USAGE DU COMMERCE. TOUTE GARANTIE IMPLICITE, Y COMPRIS, MAIS SANS S'Y LIMITER, LES GARANTIES IMPLICITES DE QUALITÉ MARCHANDE, D'ADÉQUATION À UN USAGE PARTICULIER ET D'ABSENCE DE CONTREFAÇON, EST LIMITÉE À LA DURÉE DE LA GARANTIE LIMITÉE. AUCUNE GARANTIE N'EST APPLICABLE APRÈS CETTE PÉRIODE. CERTAINS ÉTATS (OU JURIDICTIONS) DES ÉTATS-UNIS N'AUTORISENT PAS L'EXCLUSION DES GARANTIES IMPLICITES, NI LES LIMITATIONS DE LEUR DURÉE, DE SORTE QUE LES LIMITATIONS CI-DESSUS PEUVENT NE PAS S'APPLIQUER À VOUS.

LIMITATIONS DE RESPONSABILITÉ

DANS LE CADRE DE CETTE GARANTIE OU DE TOUTE AUTRE GARANTIE, EXPLICITE OU IMPLICITE, LA RESPONSABILITÉ D'INTEL SE LIMITE À LA RÉPARATION, AU REMPLACEMENT OU AU REMBOURSEMENT. CES RECOURS SONT LES SEULS ET UNIQUES RECOURS POUR TOUTE VIOLATION DE LA GARANTIE. DANS TOUTE LA MESURE AUTORISÉE PAR LA LOI, INTEL N'EST RESPONSABLE D'AUCUN DOMMAGE DIRECT, SPÉCIAL, ACCIDENTEL OU CONSÉCUTIF RÉSULTANT DE TOUTE VIOLATION DE LA GARANTIE OU SOUS TOUTE AUTRE THÉORIE JURIDIQUE (Y COMPRIS, SANS S'Y LIMITER, PERTES DE PROFITS, D'ACTIVITÉ, DE CLIENTÈLE, DOMMAGES OU REMPLACEMENT D'ÉQUIPEMENTS OU DE PROPRIÉTÉS ET TOUT COÛT DE RÉCUPÉRATION, DE REPROGRAMMATION OU DE REPRODUCTION

DE TOUT PROGRAMME OU DONNÉE STOCKÉ OU UTILISÉ AVEC UN SYSTÈME INFORMATIQUE), MÊME SI INTEL A ÉTÉ INFORMÉ DE LA POSSIBILITÉ DE CES DOMMAGES. CERTAINS ÉTATS (OU JURIDICTIONS) DES ETATS-UNIS N'AUTORISENT PAS L'EXCLUSION OU LA LIMITATION DES DOMMAGES ACCIDENTELS OU INDIRECTS. PAR CONSÉQUENT, IL SE PEUT QUE LES LIMITES OU LES EXCLUSIONS CI-DESSUS NE S'APPLIQUENT PAS À VOUS

CETTE GARANTIE VOUS DONNE DES DROITS LÉGAUX SPÉCIFIQUES, ET VOUS POUVEZ ÉGALEMENT AVOIR DES DROITS SUPPLÉMENTAIRES VARIABLES D'UN ÉTAT À L'AUTRE OU PAR JURIDICTION. LES PARTIES CONVIENNENT QUE LA CONVENTION DES NATIONS UNIES SUR LES CONTRATS DE VENTE INTERNATIONALE DE MARCHANDISES (1980) EST SPÉCIFIQUEMENT EXCLUE DU PRÉSENT ACCORD ET NE S'Y APPLIQUERA PAS. TOUT LITIGE SURVENANT DANS LE CADRE DE LA PRÉSENTE GARANTIE LIMITÉE OU LIÉ À CELLE-CI SERA JUGÉ DANS LES JURIDICTIONS SUIVANTES ET RÉGI PAR LES LOIS SUIVANTES (EXCEPTÉ POUR LA CHINE CONTINENTALE), SANS ÉGARD AUX DISPOSITIONS RELATIVES AUX CONFLITS DE LOI : POUR LES ÉTATS-UNIS ET LE RESTE DES AMÉRIQUES, LA SEULE JURIDICTION VALABLE SERA LES TRIBUNAUX DE L'ÉTAT DU DELEWARE, USA, OU DES TRIBUNAUX FÉDÉRAUX SIÉGEANT DANS CET ÉTAT, ET LA LOI APPLICABLE SERA CELLE DE L'ÉTAT DU DELAWARE. POUR L'ASIE PACIFIQUE, LA SEULE JURIDICTION VALABLE SERA SINGAPOUR, ET LA LOI APPLICABLE SERA CELLE DE SINGAPOUR. POUR LE JAPON, LA SEULE JURIDICTION VALABLE SERA TOKYO, ET LA LOI APPLICABLE SERA CELLE DU JAPON. POUR L'EUROPE ET LE RESTE DU MONDE, LA SEULE JURIDICTION VALABLE SERA LONDRES, ET LA LOI APPLICABLE SERA CELLE DE L'ANGLETERRE ET DU PAYS DE GALLES. SI UNE VERSION TRADUITE DE CETTE GARANTIE LIMITÉE EST EN CONFLIT AVEC LA VERSION ANGLAISE, LA VERSION ANGLAISE PRÉVAUDRA (SAUF POUR LA VERSION CHINOISE SIMPLIFIÉE).

¹ La présente garantie limitée pour processeurs Intel en boîte s'applique aux processeurs Intel admissibles et à leurs solutions thermiques (si elles sont incluses) qui sont conditionnés dans un emballage Intel authentique et vendus aux clients finaux en tant que composants individuels. La garantie limitée des processeurs Intel en boîte ne s'applique PAS aux processeurs compris dans les systèmes de fabricants d'équipement d'origine (OEM). Ceux-ci sont soumis aux garanties du fabricant OEM (le cas échéant).

GWARANCJA OGRANICZONA NA PUDEŁKOWANE PROCESORY INTEL®¹

Niektóre ograniczenia i wykluczenia, uwzględnione w niniejszej Gwarancji Ograniczonej, nie dotyczą nabywców spoza Stanów Zjednoczonych (patrz: www.intel.com/ProcessorWarranty).

Z uwzględnieniem poniższych wykluczeń i ograniczeń firma Intel gwarantuje nabywcy (zwanemu dalej Pierwotnym Nabywcą) tego pudełkowanego procesora Intel® i jego rozwiązania termicznego (jeżeli zostało uwzględnione) w jego oryginalnym hermetycznym opakowaniu (zwanego dalej Produktem) oraz pierwszemu nabywcy systemu komputerowego wykonanego przez Pierwotnego Nabywcę i zawierającego Produkt (zwanemu dalej Pierwotnym Użytkownikiem Systemu), że Produkt będzie zasadniczo zgodny z powszechnie dostępnymi specyfikacjami publikowanymi przez firmę Intel, a jeżeli Produkt będzie prawidłowo instalowany i użytkowany, będzie wolny od poważnych wad materiałów i wykonania przez trzy lata od daty zakupu (1) Produktu w jego oryginalnym hermetycznym opakowaniu lub (2) systemu komputerowego zawierającego Produkt (zwanego dalej Systemem Komputerowym).

OPROGRAMOWANIE DOSTARCZONE RAZEM Z PRODUKTEM LUB JAKO JEGO CZĘŚĆ JEST UDOSTĘPNIANE BEZ ŻADNYCH GWARANCJI, JEŻELI NIE ZAZNACZONO INACZEJ W DOŁĄCZONEJ LICENCJI NA TO OPROGRAMOWANIE.

Jeżeli Produkt nie będzie zgodny z powyższą Gwarancją Ograniczoną w okresie gwarancyjnym, firma Intel skorzysta z dowolnej z poniższych opcji:

NAPRAWA Produktu,

WYMIENI Produktu na nowy lub odnowiony Produkt o równoważnych lub lepszych cechach funkcjonalnych,

ZWROT kosztu zakupu zgodnie z wartością Produktu w dniu zgłoszenia roszczenia gwarancyjnego (ustaloną na podstawie ceny zalecanej dla konsumentów podanej w witrynie internetowej ark.intel.com).

Skorzystanie z tych opcji będzie jedyną metodą wywiązania się ze zobowiązań gwarancyjnych.

Niniejsza Gwarancja Ograniczona i ewentualne dorozumiane gwarancje, dozwolone przez obowiązujące przepisy, dotyczą wyłącznie Pierwotnego Nabywcy lub Pierwotnego Użytkownika Systemu i tylko przez okres, którym Produkt pozostaje w posiadaniu Pierwotnego Nabywcy lub Pierwotnego Użytkownika Systemu. Nie można cedować niniejszej Gwarancji Ograniczonej na kolejnych nabywców Produktu.

ZAKRES GWARANCJI OGRANICZONEJ

Firma Intel nie gwarantuje, że Produkt, zakupiony oddzielnie lub zintegrowany w innych produktach takich jak komponenty półprzewodnikowe, będzie funkcjonować bez przerw i błędów oraz będzie wolny od wad lub błędów konstrukcyjnych, oznaczonych przez firmę Intel jako „errata”, łącznie z wadami powodującymi niezgodność Produktu (lub oprogramowania układowego osadzonego w Produkcie) z publikowanymi specyfikacjami. Firma Intel może dodawać wady do erraty według własnego uznania, nawet po dostarczeniu Produktu lub zgłoszeniu roszczenia gwarancyjnego. Aby uzyskać informacje dotyczące bieżącej erraty, należy skontaktować się z firmą Intel.

Niniejsza Gwarancja Ograniczona NIE obejmuje następujących wad i okoliczności:

- Naturalne zużycie podczas użytkowania Produktu.
- Akcesoria, części lub oprogramowanie dodane do Produktu po dostarczeniu systemu z firmy Intel.
- Koszty związane z wymianą lub naprawą Produktu, łącznie z robocizną, instalacją oraz innymi wydatkami poniesionymi przez nabywcę, w szczególności podczas usuwania lub wymiany Produktu przyłutowanego albo w inny sposób przymocowanego na stałe do płyty z obwodami drukowanymi lub zintegrowanego z innymi produktami.
- Uszkodzenie Produktu, defekty lub następujące okoliczności: (1) czynniki zewnętrzne, takie jak wypadki, problemy z zasilaniem elektrycznym i nieprawidłowe warunki mechaniczne lub środowiskowe,

(2) użytkowanie Produktu niezgodnie z zaleceniami, (3) niewłaściwie użycie, zaniedbanie, modyfikacja lub naprawa, (4) nieprawidłowa instalacja, testowanie, konserwacja lub kalibracja, (5) eksploatacja w warunkach przekraczających zalecane specyfikacje warunków otoczenia, (6) oprogramowanie lub sprzęt dostarczony przez firmy inne niż Intel albo (7) rezygnacja z modyfikacji lub korekt zalecanych przez firmę Intel.

- Nieprawidłowe funkcjonowanie lub inne błędy Produktu wynikające z działania komputerowych wirusów, infekcji i robaków lub podobnego kodu szkodliwego. Firma Intel nie udziela żadnych gwarancji i nie składa żadnych deklaracji dotyczących możliwości wykorzystania Produktu do ochrony przed zagrożeniami bezpieczeństwa, łącznie z umyślnym działaniem szkodliwym.
- Produkty, których oryginalne oznaczenia identyfikacyjne zostały usunięte, zmienione lub ukryte.
- Produkty zmodyfikowane lub użytkowane w warunkach przekraczających powszechnie dostępne specyfikacje zalecane przez firmę Intel, łącznie z częstotliwościami zegara albo napięciami zmienionymi przy użyciu narzędzi Intel® lub w inny sposób. Firma Intel nie udziela żadnych gwarancji i nie składa żadnych deklaracji dotyczących (1) przydatności Produktu do określonego celu nawet ze zmienionymi częstotliwościami zegara lub napięciami albo (2) zapobiegania zranieniu osób lub zniszczeniu mienia podczas użytkowania Produktu.

Inne ograniczenia:

- Produkty zakupione od firmy Intel Resale Corporation nie są objęte gwarancją firmy Intel Corporation i nie są uznawane za produkty objęte niniejszą Gwarancją Ograniczoną. Firma Intel Corporation nie sprzedaje produktów używanych, dlatego nie oferuje gwarancji na produkty tego typu i nie honoruje roszczeń gwarancyjnych. Aby uzyskać informacje dotyczące gwarancji na produkty używane, należy skontaktować się ze sprzedawcą i ustalić, czy udziela on gwarancji.

- Wszelkie działania nielegalne związane z roszczeniem gwarancyjnym powodują odrzucenie roszczenia przez firmę Intel. Firma Intel zastrzega sobie prawo do kontaktu z organami prawnymi w związku z działaniami nielegalnymi.
- Firma Intel zachowuje prawo do zatrzymania sfałszowanego lub nieprawidłowo oznakowanego produktu, przesłanego do firmy Intel w związku z roszczeniem gwarancyjnym, w celu uniemożliwienia wprowadzenia go na rynek komercyjny.
- Produkty pomocnicze Intel® (np. próbki inżynieryjne lub kwalifikacyjne) są własnością firmy Intel Corporation, nie są objęte gwarancją na produkty detaliczne i nie są uznawane za Produkty objęte niniejszą Gwarancją Ograniczoną. Firma Intel zachowuje prawo do zatrzymania produktów pomocniczych Intel®, przesłanych do firmy Intel w związku z roszczeniem gwarancyjnym, w celu uniemożliwienia wprowadzenia ich na rynek komercyjny.
- Okresowo firma Intel wypożycza produkty do celów marketingowych i handlowych. Wypożyczone produkty nie są objęte gwarancją na produkty detaliczne i nie są uznawane za Produkty objęte niniejszą Gwarancją Ograniczoną. Usługi gwarancyjne mogą być świadczone przez zespoły firmy Intel wypożyczające produkty. Firma Intel zachowuje prawo do zatrzymania wypożyczonych produktów Intel®, przesłanych do niej w związku z roszczeniem gwarancyjnym, w celu uniemożliwienia wprowadzenia ich na rynek komercyjny.

JAK SKORZYSTAĆ Z USŁUGI GWARANCYJNEJ

Należy skontaktować się z punktem sprzedaży lub firmą Intel, dzwoniąc do centrum obsługi klientów (ICS, Intel Customer Support) w godzinach pracy. Podczas rozmowy wymagane będą (1) dane kontaktowe osoby zgłaszającej roszczenie, (2) dowód zakupu, (3) nazwa modelu i numer identyfikacyjny Produktu, (4) opis problemu oraz (5) dodatkowe informacje, jeżeli będą konieczne. Jeżeli centrum ICS potwierdzi, że Produkt kwalifikuje się do usługi gwarancyjnej, zgłaszający otrzyma numer autoryzacji zwrotu (RMA, Return Material Authorization) oraz instrukcje dotyczące zwrotu Produktu. Firma Intel dostarczy na własny

koszt naprawiony lub wymieniony Produkt na adres osoby zgłaszającej roszczenie gwarancyjne w uzasadnionym czasie po otrzymaniu zwracanego Produktu. Produkt zamienny będzie objęty gwarancją na warunkach określonych w niniejszej Gwarancji Ograniczonej przez dłuższy z dwóch następujących okresów: (1) 90 dni, licząc od daty wysyłki naprawionego lub wymienionego Produktu, lub (2) pozostała część okresu gwarancyjnego dla zwracanego Produktu, przedłużona o liczbę dni od zgłoszenia roszczenia gwarancyjnego w centrum ICS do otrzymania naprawionego lub wymienionego Produktu.

OGRANICZENIA I WYKLUCZENIA GWARANCYJNE

TA GWARANCJA ZASTĘPUJE WSZYSTKIE INNE GWARANCJE I DEKLARACJE DOTYCZĄCE PRODUKTU. FIRMA INTEL NIE UDZIELA ŻADNYCH INNYCH GWARANCJI WYRAŹNYCH ALBO WYNIKAJĄCYCH Z CHARAKTERU TRANSAKCJI, ZWYCZAJU LUB ZASAD HANDLOWYCH. WSZELKIE DOROZUMIANE GWARANCJE, DOTYCZĄCE MIĘDZY INNYMI PRZYDATNOŚCI HANDLOWEJ, PRZYDATNOŚCI DO OKREŚLONEGO CELU I OCHRONY PRAW STRON TRZECICH, OBOWIĄZUJĄ TYLKO W OKRESIE OBOWIĄZYWANIA GWARANCJI OGRANICZONEJ. PO TYM OKRESIE NIE OBOWIĄZUJĄ ŻADNE GWARANCJE. W NIEKTÓRYCH KRAJACH (LUB JURYSDYKCJACH) ZABRONIONE JEST WYKLUCZANIE GWARANCJI DOROZUMIANYCH LUB OGRANICZANIE CZASU ICH OBOWIĄZYWANIA, DLATEGO POWYŻSZE OGRANICZENIA NIE DOTYCZĄ NIEKTÓRYCH NABYWWCÓW.

OGRANICZENIA ODPOWIEDZIALNOŚCI

ODPOWIEDZIALNOŚĆ FIRMY INTEL WYNIKAJĄCA Z NINIEJSZEJ GWARANCJI LUB INNYCH GWARANCJI, DOROZUMIANYCH LUB WYRAŹNYCH, JEST OGRANICZONA DO OBOWIĄZKU NAPRAWY LUB WYMIANY WADLIWYCH PRODUKTÓW ALBO ZWROTU KOSZTU ICH ZAKUPU. SKORZYSTANIE Z TYCH OPCJI

BĘDZIE JEDYNĄ METODĄ WYWIĄZANIA SIĘ ZE ZOBOWIĄZAŃ GWARANCYJNYCH. W MAKSYMALNYM ZAKRESIE DOZWOLONYM PRZEZ PRAWO FIRMA INTEL NIE PONOSI ODPOWIEDZIALNOŚCI ZA BEZPOŚREDNIE, SZCZEGÓLNE, UBOCZNE ALBO NASTĘPCZE SZKODY LUB ODSZKODOWANIA, WYNIKAJĄCE Z NARUSZENIA GWARANCJI LUB UZASADNIONE PRAWNIE W INNY SPOSÓB (NA PRZYKŁAD UTRATĄ ZYSKÓW, PRZESTOJEM, DOBRĄ WIARĄ, USZKODZENIEM LUB WYMIANĄ WYPOSAŻENIA I WŁASNOŚCI ORAZ KOSZTAMI ODZYSKANIA, PRZEPROGRAMOWANIA LUB POWIELANIA PROGRAMU ALBO DANYCH PRZECHOWYWANYCH LUB UŻYWANYCH W SYSTEMIE KOMPUTEROWYM), NAWET JEŻELI FIRMA INTEL ZOSTAŁA POINFORMOWANA O MOŻLIWOŚCI WYSTĄPIENIA TAKICH SZKÓD. W NIEKTÓRYCH STANACH (LUB JURYSDYKCJACH) ZABRONIONE JEST WYKLUCZANIE LUB OGRANICZANIE ODPOWIEDZIALNOŚCI ZA SZKODY UBOCZNE I NASTĘPCZE, DLATEGO POWYŻSZE OGRANICZENIE LUB WYKLUCZENIE NIE OBOWIĄDUJE W NIEKTÓRYCH OKOLICZNOŚCIACH.

Z NINIEJSZEJ GWARANCJI WYNIKAJĄ SPECYFICZNE UPRAWNIENIA NABYWCY, KTÓRY MOŻE MIEĆ RÓWNIEŻ INNE PRAWA ZALEŻNIE OD KRAJU LUB JURYSDYKCJI. STRONY UZGODNIŁY, ŻE DO NINIEJSZEJ UMOWY NIE MA ZASTOSOWANIA W SZCZEGÓLNOŚCI KONWENCJA NARODÓW ZJEDNOCZONYCH O UMOWACH MIĘDZYNARODOWEJ SPRZEDAŻY TOWARÓW (1980). KWESTIE SPORNE ZWIĄZANE Z NINIEJSZĄ GWARANCJĄ OGRANICZONĄ BĘDĄ ROZSTRZYGANIE NA NASTĘPUJĄCYCH FORACH I ZGODNIE Z NASTĘPUJĄCYMI PRZEPISAMI (Z WYJĄTKIEM CHIN KONTYNTENTALNYCH) BEZ WZGLĘDU NA KOLIZJE NORM PRAWNYCH. W STANACH ZJEDNOCZONYCH I POZOSTAŁYCH REGIONACH AMERYK WYŁĄCZNYM FORUM BĘDĄ SĄDY STANU DELAWARE LUB SĄDY FEDERALNE URZĘDUJĄCE W DANYM STANIE I STOSOWANE BĘDZIE PRAWO OBOWIĄZUJĄCE W STANIE DELAWARE. W REGIONIE AZJI I PACYFIKU WYŁĄCZNYM FORUM

BĘDZIE SINGAPUR I STOSOWANE BĘDZIE PRAWO OBOWIĄZUJĄCE W SINGAPURZE. W JAPONII WYŁĄCZNYM FORUM BĘDZIE TOKIO I STOSOWANE BĘDZIE PRAWO OBOWIĄZUJĄCE W JAPONII. W EUROPIE I POZOSTAŁYCH REGIONACH WYŁĄCZNYM FORUM BĘDZIE LONDYN I STOSOWANE BĘDZIE PRAWO OBOWIĄZUJĄCE W ANGLII I WALII. W PRZYPADKU ROZBIEŻNOŚCI MIĘDZY TŁUMACZONĄ WERSJĄ NINIEJSZEJ GWARANCJI OGRANICZONEJ A WERSJĄ W JĘZYKU ANGIELSKIM WYŻSZY PRIORYTET BĘDZIE MIEĆ WERSJA ANGIELSKOJĘZyczna (Z WYJĄTKIEM WERSJI W JĘZYKU CHIŃSKIM UPROSZCZONYM).

¹ Niniejsza Gwarancja Ograniczona na pudełkowane procesory Intel® dotyczy kwalifikujących się procesorów Intel® i rozwiązań termicznych (jeżeli zostały uwzględnione), umieszczanych w autentycznych pakietach Intel® i sprzedawanych konsumentom jako komponenty autonomiczne. Gwarancja Ograniczona na pudełkowane procesory Intel® NIE dotyczy procesorów zainstalowanych w systemach OEM, na które ewentualnych gwarancji udzielają producenci OEM.

인텔® 박스형 프로세서 제한적 보증¹

미국 이외 지역에 거주하는 소비자에는 본 제한적 보증의 일부 제한 및 예외 사항이 적용되지 않을 수도 있습니다. www.intel.com/ProcessorWarranty를 방문하십시오.

여기에 포함된 예외 및 제한 조항에 따라 인텔은 봉인된 최초 포장 상태로 이 박스형 인텔® 프로세서 및 열 솔루션(포함된 경우)("제품")을 구매하는 구매자("최초 구매자")와 해당 제품을 포함하여 최초 구매자가 구축한 컴퓨터 시스템을 구매하는 최초 구매자("최초 시스템 고객")에게 다음과 같이 보증합니다. 제품은 공개된 인텔 사양을 물리적으로 준수하며, 제품이 적절하게 사용 및 설치된다면, (1) 봉인된 최초 포장 상태의 제품 또는 (2) 제품이 포함된 컴퓨터 시스템("컴퓨터 시스템")을 구매한 날로부터 3년간 재질상 및 공정상 결함이 없을 것입니다.

해당 소프트웨어에 동봉된 소프트웨어 라이선스에 특별히 달리 명시되어 있지 않은 한, 제품과 함께 또는 제품의 일부로 제공되는 모든 소프트웨어는 "있는 그대로" 제공됩니다.

보증 기간 중 제품이 위 제한적 보증 내용을 준수하지 않을 경우 인텔은 다음 조치 중 하나를 선택합니다.

제품을 수리합니다.

동등하거나 더 나은 기능을 가진 새 제품 또는 수리된 제품으로 교체하거나

보증 청구 당시 제품의 가치를 환불합니다(ark.intel.com의 권장 고객 가격에 따라 결정됨).

이는 보증 위반에 대한 배타적 구제책입니다.

본 제한적 보증과 기타 준거법 하에 존재할 수도 있는 묵시적 보증은 최초 구매자 또는 최초 시스템 고객에게만 적용되며 최초 구매자 또는 최초 시스템 고객이 제품을 계속 소유하고 있는 동안만 유지됩니다. 이 제한적 보증은 제품의 후속 구매자에게 양도할 수 없습니다.

제한적 보증의 범위

인텔은 독립형으로 구매한 제품이든 다른 제품과 통합된 제품(반도체 부품을 포함하되 이에 국한되지 않음)이든 다음과 같다는 것을 보증하지 않습니다. 문제가 발생하지 않습니다. 페일 세이프(Failsafe) 또는 중단이나 오류 없이 작동하거나 제품

(또는 제품에 내장된 펌웨어)이 공개된 사양에서 벗어날 수 있는 '정오표'를 포함하여 인텔이 '정오표'로 지정한 설계 결함이나 오류가 없습니다. 인텔은 제품 배송 후 또는 고객이 보증을 청구한 후에 단독 재량으로 '정오표'를 지정할 수 있습니다. 정리된 최신 정오표에 대한 정보가 필요하면 인텔로 연락하십시오.

다음과 같은 경우에는 이 제한적 보증이 적용되지 않습니다.

- 제품의 사용으로 인한 정상적인 마모 및 손상
- 인텔에서 시스템을 배송한 이후 제품에 추가된 액세서리, 부품 또는 소프트웨어
- 제품의 교체 또는 수리와 관련하여 구매자가 지출한 인건비, 설치비 또는 기타 비용으로서, 특히 인쇄 회로 기판에 결합되거나 다른 방법으로 영구 부착되거나 또는 다른 제품과 통합된 제품을 제거 또는 교체함으로써 발생한 비용
- 다음으로 인한 제품 손상, 결함 상태 또는 부적합: (1) 사고, 전력 문제, 비정상적 조건(예: 기계적 또는 환경적)을 포함한 외부 원인, (2) 제품 지침에 따르지 않은 사용, (3) 오용, 방치, 변경, 수리, (4) 부적절한 설치, 테스트, 유지 보수 또는 보정, (5) 환경 사양을 벗어난 작동, (6) 인텔이 제공하지 않은 소프트웨어 또는 하드웨어, (7) 인텔이 제공한 수정 또는 교정 방법을 적용하지 않음
- 제3자 바이러스, 감염, 웜 또는 이와 유사한 악성 코드로 인한 제품의 오작동 또는 기타 오류, 인텔은 제품이 제3자의 의도적인 위법 행위를 포함하여 가능한 모든 보안 위협을 해결한다는 취지의 조건, 보증 또는 기타 조항을 제시하지 않습니다.
- 최초 식별 표시가 제거, 변경 또는 지워진 제품
- 클럭 주파수 또는 전압이 인텔 도구 또는 기타 수단을 통해 변경된 경우를 포함하여 인텔의 공개 사양을 벗어나 수정되거나 작동된 제품, 인텔은 변경된 클럭 주파수 또는 전압에서 사용하는 경우를 포함하여 제품이 (1) 어떠한 특정 목적에든 적합하거나 (2) 어떠한 손상 또는 피해도 초래하지 않을 것이라는 취지의 조건, 보증 또는 기타 조항을 제시하지 않습니다.

기타 제한:

- Intel Resale Corporation으로부터 구매하는 제품에는 인텔의 보증이 포함되지 않으며, 이 제한적 보증이 적용되지 않습니다. 인텔은 중고 제품을 판매하지 않으므로 중고 제품에 대한 보증 요청을 받아들이지 않습니다. 중고 제품에 대한 보증의 경우, 해당 제품을 판매한 회사에 연락하여 보증이 제공되는지를 확인해야 합니다.
- 인텔 보증 서비스의 요청과 관련된 사기 행위는 보증 요청을 무효화합니다. 인텔에는 사기 행위와 관련하여 법 집행기관에 연락할 권리가 있습니다.
- 인텔은 보증 서비스를 위해 인텔로 송달된 사기 제품, 위조 제품 또는 리마킹된 제품을 보유하고 이러한 물품이 상업상의 유통 경로로 방출되는 것을 방지할 수 있는 권리를 보유합니다.
- 인텔의 비생산 제품(예: 엔지니어링 또는 인증 샘플)은 인텔의 자산이고 소매 보증을 포함하지 않으며 이 제한적 보증의 적용을 받지 않습니다. 인텔은 보증 서비스를 위해 인텔로 송달된 인텔 비생산 제품을 보유하고 이러한 물품이 상업상의 유통 경로로 방출되는 것을 방지할 수 있는 권리를 보유합니다.
- 인텔은 때로 마케팅 및 판매 목적으로 제품을 대여합니다. 이와 같이 대여되는 제품은 소매 보증을 포함하지 않으며 이 제한적 보증의 적용을 받지 않습니다. 대여를 제공하는 인텔 팀에서 보증 서비스를 제공할 수도 있습니다. 인텔은 보증 서비스를 위해 인텔로 송달된 인텔에서 대여한 제품을 보유하고 이러한 물품이 상업상의 유통 경로로 방출되는 것을 방지할 수 있는 권리를 보유합니다.

보증 서비스를 받는 방법

귀하는 구매처에 연락하거나 영업시간 중 인텔 고객 지원(ICS) 센터로 전화하여 인텔에 연락할 수 있습니다. 귀하는 (1) 연락처 정보, (2) 구매 영수증, (3) 모델명과 제품 식별 번호, (4) 문제점에 대한 설명 및 (5) 필요한 경우 추가 정보를 제공해야 합니다. ICS에서 보증 서비스 대상 제품으로 확인되면 RMA(Return Material Authorization) 번호와 제품 반품 지침을 받게 됩니다. 인텔은 반품된 제품을 수령한 후 합당한 기간 내에 자체 경비를 들여 수리 또는 교체 제품을 귀하에게 배송할 것입니다. 교체 제품에는 예외 사항을 포함하여 본 제한적 보증에 포함된 조건에 따른 보증이 적용됩니다. 이때 보증 기간은 (1) 수리 또는 교체 부품을 귀하에게 배송한 날로부터 90일 또는 (2) 반품된 제품의 남은 보증 기간에 귀하가 ICS에 보증 서비스가 필요하다는 사실을 알린 시기에서 귀하가 수리 또는 교체 제품을 수령한 시기까지의 일 수에 해당하는 추가 기간을 더한 기간 중 더 긴 기간으로 합니다.

보증 제한 및 예외

본 보증은 제품에 대한 다른 모든 보증에 우선합니다. 인텔은 다른 모든 명시적 보증과 이행 과정, 거래 과정 또는 상관습으로 인해 발생하는 여타의 보증을 모두 부인합니다. 상업성, 특정 목적에의 적합성 및 비침해에 대한 묵시적 보증을 포함하여 (이에 제한되지 않음) 일체의 묵시적 보증은 제한적 보증 기간으로 제한됩니다. 보증 기간 이후에는 보증이 적용되지 않습니다. 일부 주(또는 사법권)에서는 묵시적 보증의 배제와 기간에 대한 제한을 허용하지 않으므로 위 제한이 귀하에게 적용되지 않을 수도 있습니다.

책임의 제한

본 보증과 여타의 묵시적 또는 명시적인 다른 보증에 따른 인텔의 책임은 수리, 교체 또는 환불로 제한됩니다. 이러한 구제책은 보증 위반에 대한 유일하고 배타적인 구제책입니다. 관련 법률이 허용하는 최대 범위 내에서 인텔은 보증의 위반으로 인해 발생하거나 기타 법적 이론 하에 발생하는 모든 직접적, 특수적, 부수적 또는 결과적 손해에 대해 책임을 지지 않으며(수익 손실, 영업 중단, 영업권, 장비와 재산의 손해 또는 교체, 컴퓨터 시스템에 저장되어 있거나 컴퓨터 시스템과 함께 사용되는 프로그램 또는 데이터의 복구, 재프로그래밍 또는 재생산 비용을 포함하되 이에 국한되지 않음), 이는 인텔이 그와 같은 손해의 가능성을 사전에 알고 있던 경우에도 마찬가지입니다. 일부 주(또는 사법권)에서는 파생적 또는 부수적 손해의 예외 또는 제한을 허용하지 않으므로 위 제한 또는 예외가 귀하에게 적용되지 않을 수도 있습니다.

본 보증을 통해 귀하에게 특정한 법적 권한을 부여하며, 귀하는 주 또는 사법권에 따라 다른 권한을 가질 수도 있습니다. 양 당사자는 상품의 국제 판매 계약에 관한 국제연합협약(1980)은 본 계약에서 제외되며 본 계약에 적용되지 않는다는 데 동의합니다. 이 제한적 보증에 따라 또는 이와 관련하여 분쟁이 발생하면 다음 법정에서 판결하고 법의 저촉 조항과 관계없이 다음 법이 적용됩니다(중국 본토 제외). 미국 및 기타 아메리카의 경우, 배타적 법정은 미국 델라웨어주의 법원 또는 그 주에 소재한 연방 법원이 되며 델라웨어주의 법률이 적용 가능한 법률이 됩니다. 아시아 태평양의 경우, 배타적 법정은 싱가포르이고 싱가포르의 법률이 적용 가능한

법률이 됩니다. 일본의 경우 도쿄가 배타적 포럼이고 일본 법률이 준거법이 됩니다. 유럽과 기타 나머지 지역의 경우 런던이 배타적 포럼이고 준거법은 영국과 웨일즈 법률입니다. 본 제한적 보증의 번역본과 영어 버전 간 충돌이 있을 경우에는 영어 버전이 우선 적용됩니다(중국어 간체 버전 제외).

¹ 이 인텔® 박스형 프로세서 제한적 보증은 정품 인텔 포장재로 포장되어 최종 고객에게 독립형 컴포넌트로 판매된 적격 인텔® 프로세서 및 열 솔루션(포함된 경우)에 적용됩니다. 인텔® 박스형 프로세서 제한적 보증은 OEM 시스템에 포함된 프로세서에는 적용되지 않습니다. 이러한 프로세서에는 OEM 제조업체 보증(있는 경우)이 적용됩니다.

Limited Warranty Available in Other Languages

Lesen Sie diese auf 3 Jahre begrenzte Garantie auf Deutsch [www.intel.com/processorwarranty] oder bitten Sie Ihren Intel Kundendienst telefonisch um Zusendung.

Leggere la garanzia limitata di 3 anni in italiano [www.intel.com/processorwarranty] o chiamare il Supporto Clienti Intel per richiederla per iscritto.

Leia esta garantia limitada a 3 anos, em português [www.intel.com/processorwarranty], ou ligue para seu Suporte ao cliente Intel para solicitá-la por escrito.

Ознакомьтесь с текстом 3-летней ограниченной гарантии на русском языке [www.intel.com/processorwarranty] или обратитесь в службу поддержки Intel для получения печатной версии.

この3年保証について日本語でお読みになるか [www.intel.com/processorwarranty]、インテル・カスタマー・サポートに電話して、書面による保証書を要請してください。

請閱讀這個中文版的3年有限保固 [www.intel.com/processorwarranty] 或致電您的 Intel 客戶支援，請他們提供書面版本。

请阅读此简体中文版的三年有限担保 [www.intel.com/processorwarranty]，或致电您的英特尔客户支持索取书面文件。

Baca jaminan terbatas 3 tahun ini dalam bahasa Indonesia [www.intel.com/processorwarranty] atau hubungi Dukungan Pelanggan Intel untuk mendapatkan dalam bentuk tertulis.

Bu 3 Yıllık Sınırlı Garantiyi İngilizce okuyun [www.intel.com/processorwarranty] veya size göndermek için Intel Müşteri Hizmetlerinizi arayın

اطلع على هذا الضمان المحدود لمدة 3 سنوات باللغة الإنجليزية [www.intel.com/processorwarranty] أو اتصل بمركز دعم عملاء إنتل لطلب ذلك كتابة.

This Page Intentionally Left Blank



Material Declaration Data Sheet

Management Methods on Control of Pollution from Electronic Information Products
(China RoHS declaration)

产品中有害物质的名称及含量
Hazardous Substances Table

部件名称 Component Name	有毒有害物质或元素 Hazardous Substance					
	铅 Pb	汞 Hg	镉 Cd	六价铬 Cr (VI)	多溴联苯 PBB	多溴二苯醚 PBDE
散热片 Thermal Solution	x	○	○	○	○	○

○：表示该有毒有害物质在该部件所有均质材料中的含量均在 GB/T 26572 标准规定的限量要求以下。

○：Indicates that this hazardous substance contained in all homogeneous materials of such component is within the limits specified in GB/T 26572.

x：表示该有毒有害物质至少在该部件的某一均质材料中的含量超出 GB/T 26572 标准规定的限量要求。

x：Indicates that the content of such hazardous substance in at least a homogeneous material of such component exceeds the limits specified in GB/T 26572.

对销售之日的所售产品，本表显示我公司供应链的电子信息产品可能包含这些物质。

注意：在所售产品中可能会也可能不会含有所有列出的部件。

This table shows where these substances may be found in the supply chain of our electronic information products, as of the date of sale of the enclosed product. Note that some of the component types listed above may or may not be a part of the enclosed product.

除非另外特别的标注，此标志为针对所涉及产品的环保使用期限标志。某些可更换的零部件可能会有一个不同的环保使用期限(例如，电池单元模块)。此环保使用期限只适用于产品在产品手册中所规定的条件下工作。



The Environment-Friendly Use Period (EFUP) for all enclosed products and their parts are per the symbol shown here, unless otherwise marked. Certain field-replaceable parts have a different EFUP (for example, battery modules) number. The Environment-Friendly Use Period is valid only when the product is operated under the conditions defined in the product manual.

Intel® Customer Support Links

**Intel® Processor Web
Self-Help Support**

www.intel.com/ProcessorInfo



**Intel® Boxed Processor Support
including Three-Year Limited
Warranty**

www.intel.com/BoxedCPUSupport



**Intel® Processor Contact
Phone Numbers**

www.intel.com/ProcessorContact



**Intel® Processor Contact Support
Options Page**

www.intel.com/ProcessorSupport



ATTENTION: AUTHORIZED USE OF INTEL® LOGO

Intel grants you a limited, non-exclusive permission to affix the enclosed logo label to a single computer device incorporating the Intel processor shipped with the label. Use of the logo label for any other purpose is unauthorized and infringes Intel's trademark rights. Intel reserves the right to ask you to stop using the logo label if the processor has been materially altered or if the system does not meet the quality and performance standards customary in the industry. Other license terms may apply.



M78401-001

intel®