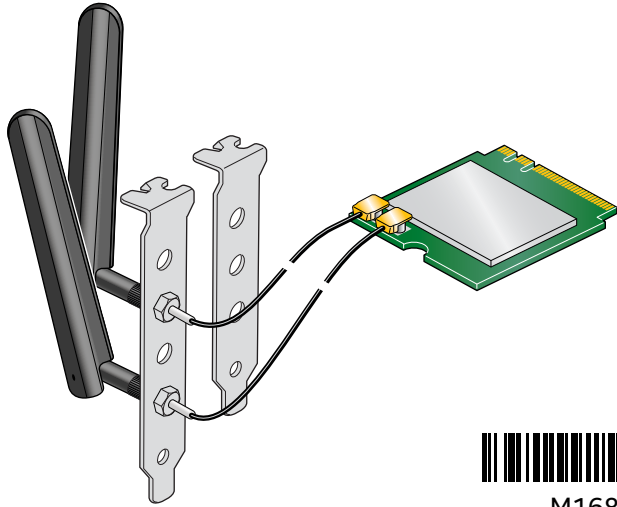


Intel® Dual Band Wireless-AC 9260 Industrial IOT Kit

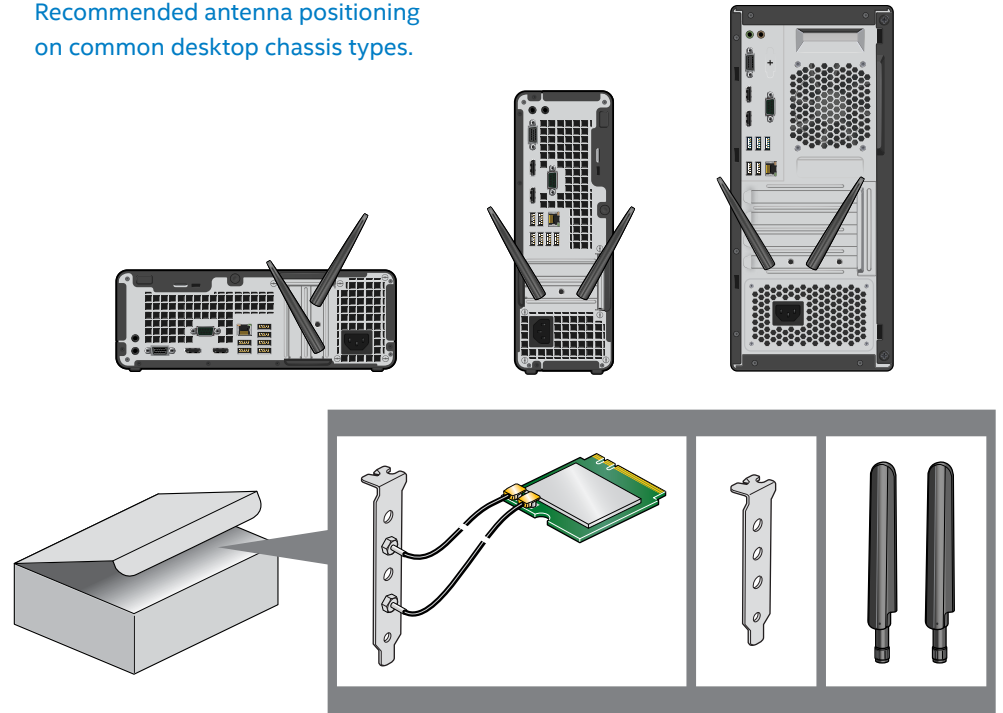
Quick Start Guide



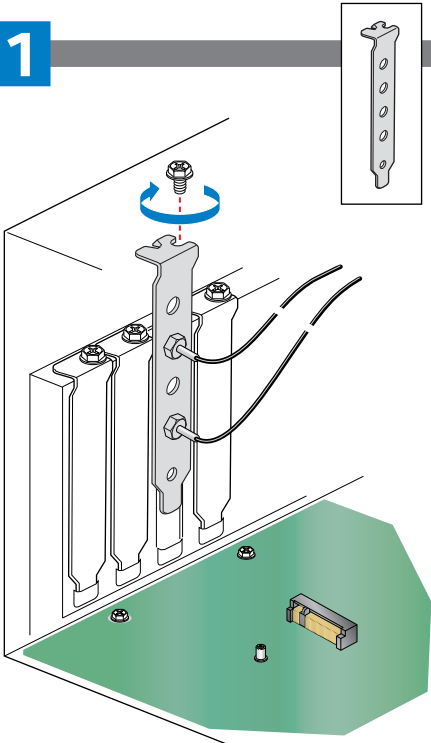
Recommended antenna positioning
on common desktop chassis types.



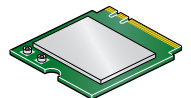
M16844-001

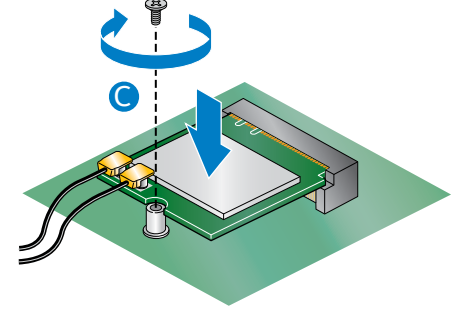
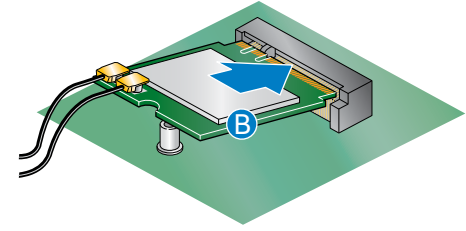
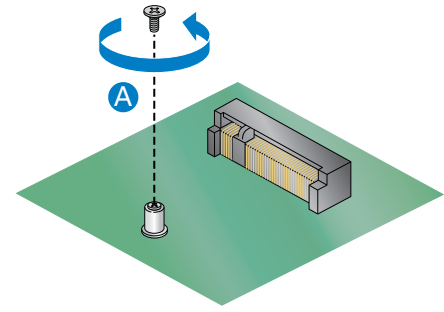


1

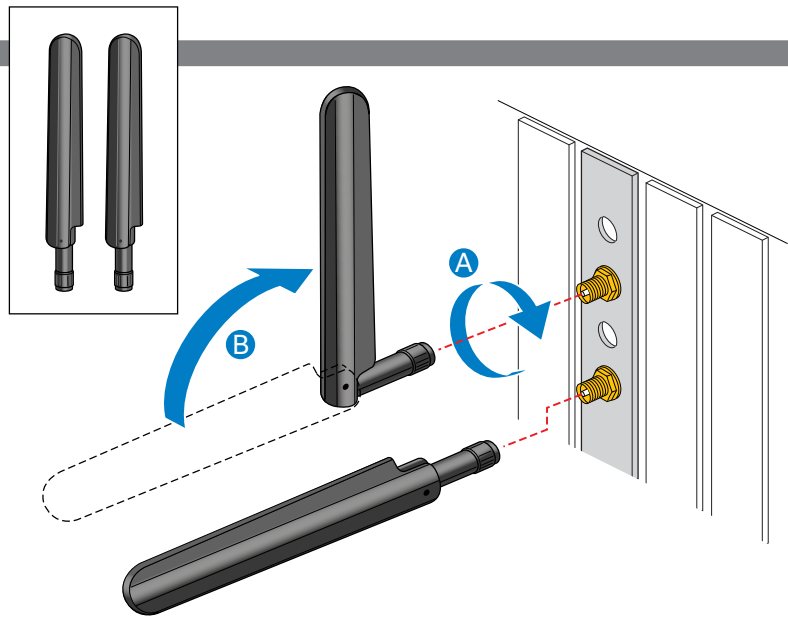


2


Intel® Dual Band Wireless-AC 9260
Industrial Extended Temperature
M.2 Module
Regulatory Model: 9260NGW



3



Recommendation for better performance:

Connect antennas to the holes farthest from each other and attach the bracket close to the surface/edge of the chassis or product enclosure.

Support

Customer Support:

<http://www.intel.com/support>

No license (express or implied, by estoppel or otherwise) to any of Intel's intellectual property rights is granted by this document.

Intel disclaims all express and implied warranties, including without limitation, the implied warranties of merchantability, fitness for a particular purpose, and non-infringement, as well as any warranty arising from course of performance, course of dealing, or usage in trade.

This document contains information on products, services and/or processes in development. All information provided here is subject to change without notice. Contact your Intel representative to obtain the latest forecast, schedule, specifications and roadmaps. The products and services described may contain defects or errors known as errata which may cause deviations from published specifications. Current characterized errata are available on request. Intel technologies' features and benefits depend on system configuration and may require enabled hardware, software or service activation. Performance varies depending on system configuration. No product or component can be absolutely secure. Check with your system manufacturer or retailer or learn more at intel.com. Tests document performance of components on a particular test, in specific systems. Differences in hardware, software, or configuration will affect actual performance. Consult other sources of information to evaluate performance as you consider your purchase. For more complete information about performance and benchmark results, visit <http://www.intel.com/performance>.

Copies of documents which have an order number and are referenced in this document may be obtained by calling 1-800-548-4725 or by visiting www.intel.com/design/literature.htm.

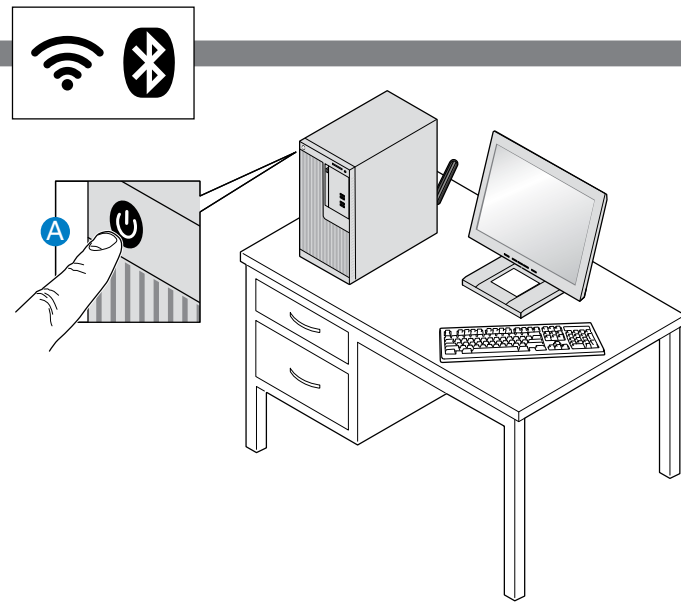
Intel, the Intel logo, and other Intel marks are trademarks of Intel Corporation or its subsidiaries. Other names and brands may be claimed as the property of others.

The Bluetooth® word mark and logos are registered trademarks owned by Bluetooth SIG, Inc. and any use of such marks by Intel is under license.

© 2020 Intel Corporation.



4



B

Windows 10 Version 2004 or Later

DRIVER Before Windows 10 Version 2004

DRIVER Windows 10

